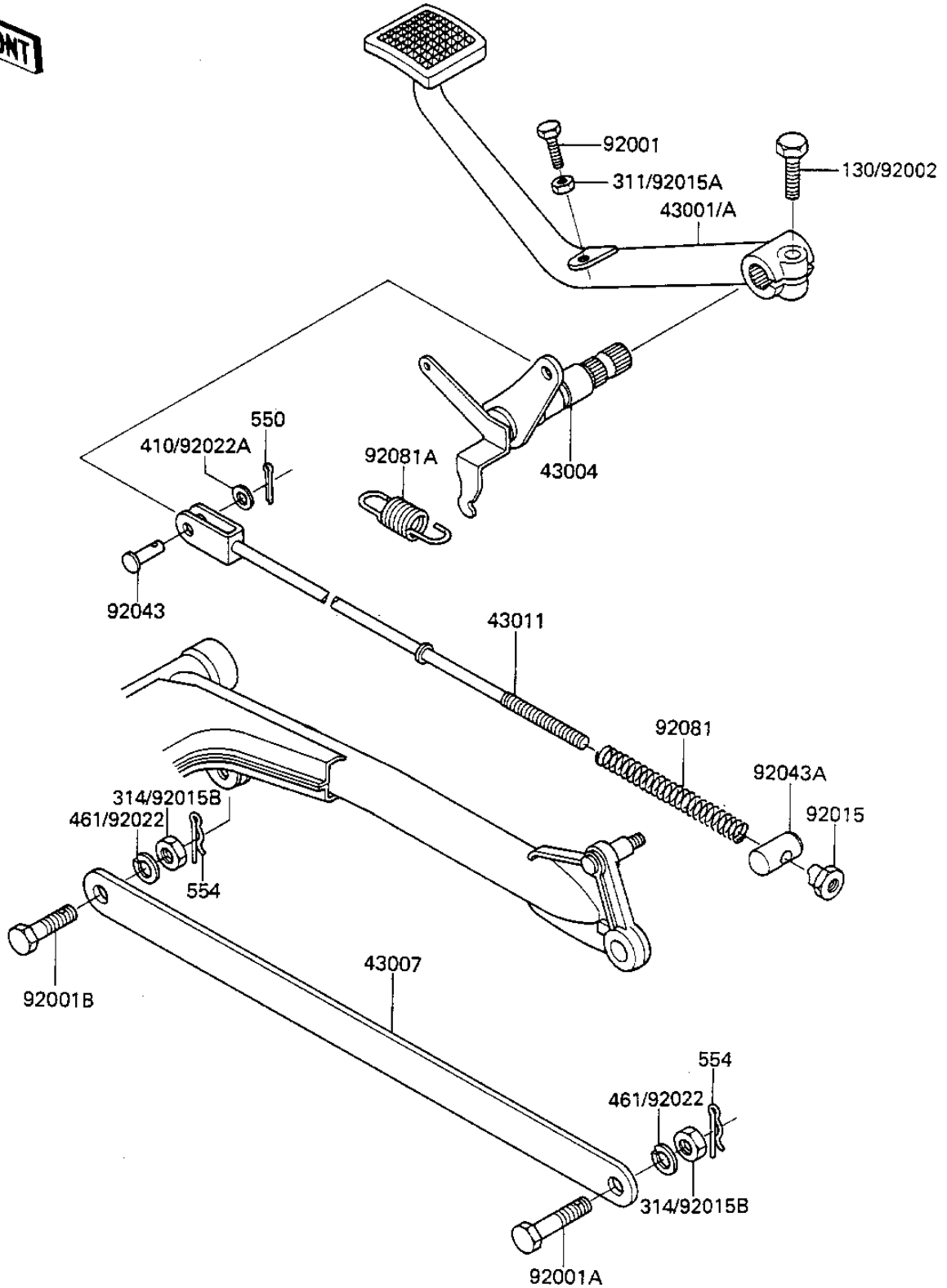


# 1984 LTD Shaft PARTS DIAGRAM

BRAKE PEDAL/TORQUE LINK

F2260-0097



# 1984 LTD Shaft PARTS LIST

## BRAKE PEDAL/TORQUE LINK

ITEM NAME	PART NUMBER	QUANTITY
LEVER-BRAKE,PEDAL (Ref # 43001A)	43001-1107	1
SHAFT-BRAKE (Ref # 43004)	43004-1046	1
ROD-TORQUE (Ref # 43007)	43007-1037	1
ROD-BRAKE (Ref # 43011)	43011-1060	1
BOLT,HEX HEAD,6X25 (Ref # 92001)	92001-1090	1
BOLT (Ref # 92001A)	92001-1519	1
BOLT (Ref # 92001B)	92003-096	1
BOLT,FLANGED,8X25 (Ref # 92002)	92002-1201	1
NUT-BRAKE ROD ADJUST (Ref # 92015)	92015-042	1
NUT,6MM (Ref # 92015A)	92015-1391	1
NUT,10MM (Ref # 92015B)	92015-1416	2
WASHER,SPRING,10MM (Ref # 92022)	92022-1540	2
WASHER PLAIN 6MM (Ref # 92022A)	410B0600	1
PIN-BRAKE ROD FITTING (Ref # 92043)	92043-064	1
PIN-BRAKE ROD (Ref # 92043A)	92043-065	1
SPRING,BRAKE ROD (Ref # 92081)	43012-001	1
SPRING,BRAKE PEDAL (Ref # 92081A)	92081-1147	1
PIN COTTER 2.0X15 (Ref # 550)	550D2015	1
PIN,SNAP (Ref # 554)	554A0800	2