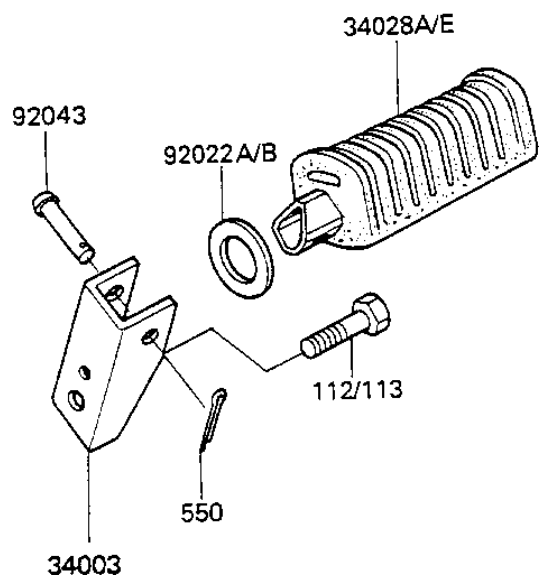
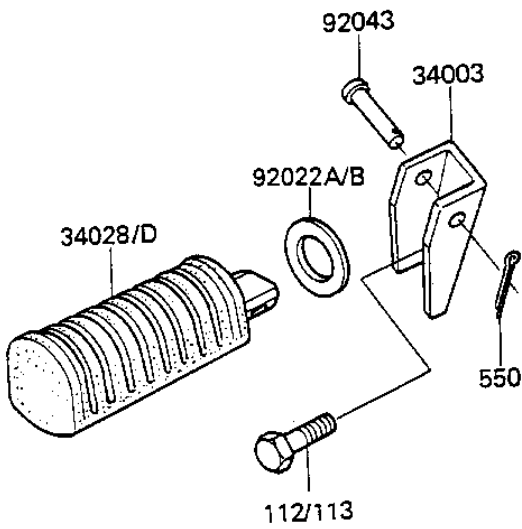
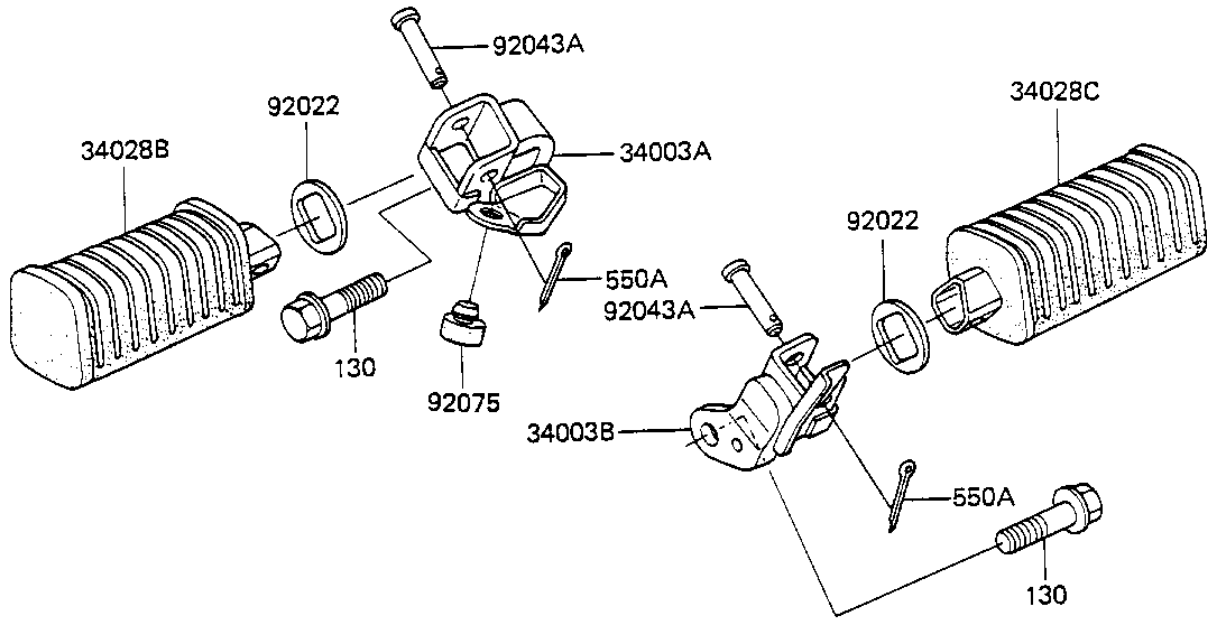


1984 LTD Shaft PARTS DIAGRAM

FOOTRESTS

F2160-0079



1984 LTD Shaft PARTS LIST

FOOTRESTS

ITEM NAME	PART NUMBER	QUANTITY
HOLDER,REAR FOOTREST (Ref # 34003)	34003-1025	2
HOLDER-STEP,FR,LH (Ref # 34003A)	34003-1149	1
HOLDER-STEP,FR,RH (Ref # 34003B)	34003-1150	1
STEP,FR,LH (Ref # 34028B)	34028-1136	1
STEP,FR,RH (Ref # 34028C)	34028-1137	1
STEP,RR,LH (Ref # 34028D)	34028-1128	1
STEP,RR,RH (Ref # 34028E)	34028-1129	1
WASHER,STEP FITTING (Ref # 92022)	92022-1314	2
WASHER,STEP FITTING (Ref # 92022B)	92022-1514	2
PIN (Ref # 92043)	92043-1464	2
PIN,FOOTREST BAR FIT (Ref # 92043A)	92043-115	2
DAMPER,STAND STOPPER (Ref # 92075)	92075-1045	1
BOLT-UPSET (Ref # 112)	112C1030	2
BOLT-FLANGED,12X20 (Ref # 130)	130J1220	2
PIN,COTTER,2.0X12 (Ref # 550)	550D2012	2
PIN,COTTER,2.5X15 (Ref # 550A)	550D2515	2