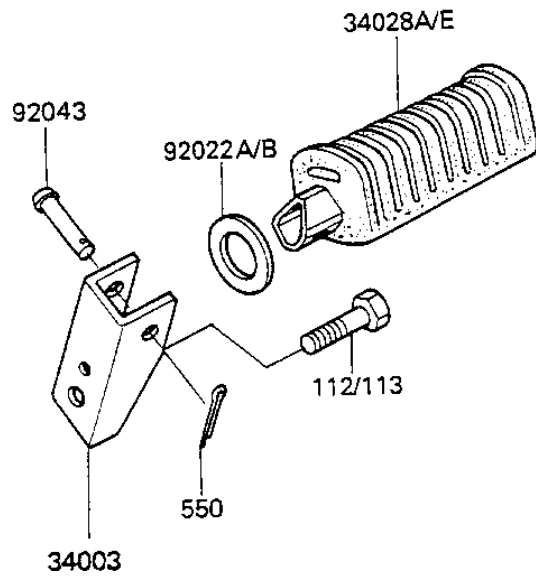
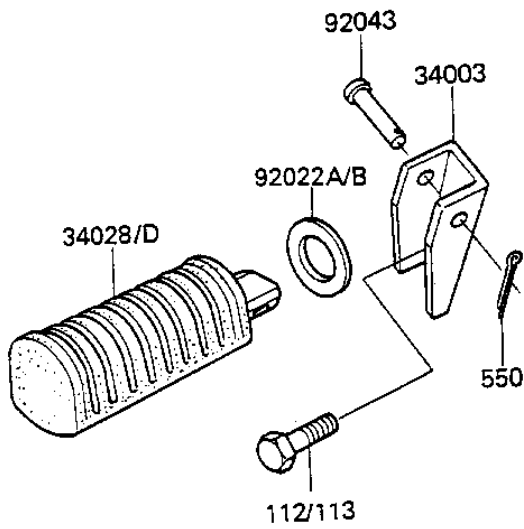
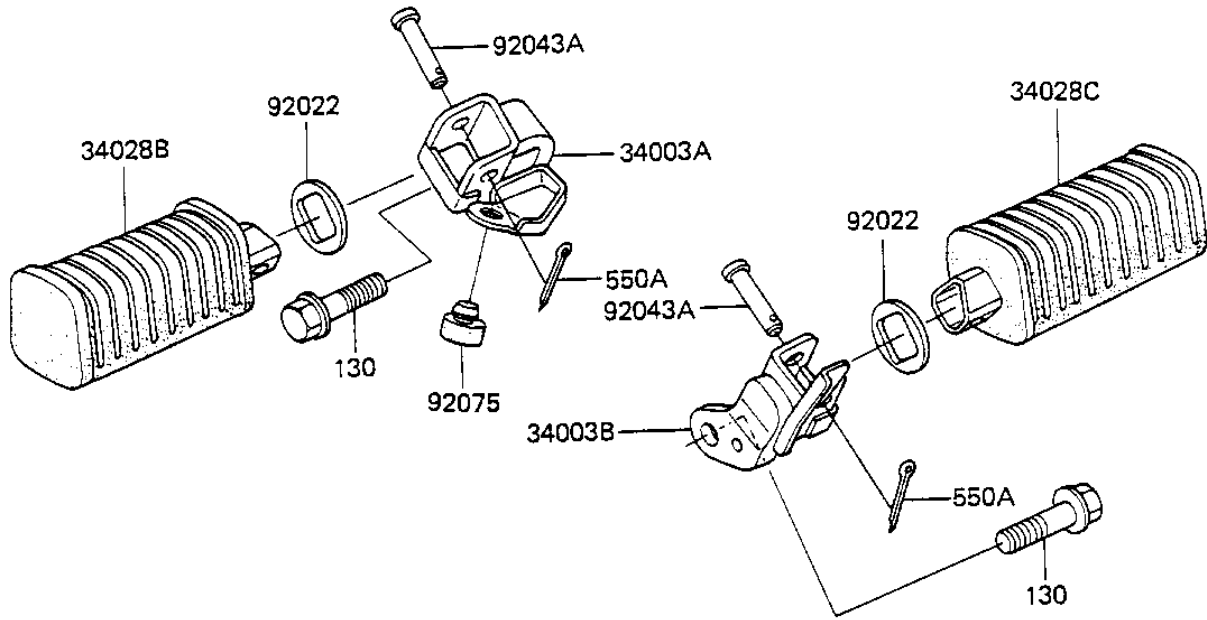


1983 Spectre PARTS DIAGRAM

FOOTRESTS

F2160-0079



1983 Spectre PARTS LIST

FOOTRESTS

ITEM NAME	PART NUMBER	QUANTITY
HOLDER,REAR FOOTREST (Ref # 34003)	34003-1025	1
HOLDER-STEP,FR,LH (Ref # 34003A)	34003-1149	1
HOLDER-STEP,FR,RH (Ref # 34003B)	34003-1150	1
STEP,RR,LH,BLACK (Ref # 34028)	34028-1041	1
STEP,RR,RH,BLACK (Ref # 34028A)	34028-1042	1
STEP,FR,LH (Ref # 34028B)	34028-1136	1
STEP,FR,RH (Ref # 34028C)	34028-1137	1
WASHER,STEP FITTING (Ref # 92022)	92022-1314	1
WASHER,22.5X30X2.6,BL (Ref # 92022A)	92022-1320	1
PIN (Ref # 92043)	92043-1464	1
PIN,FOOTREST BAR FIT (Ref # 92043A)	92043-115	1
DAMPER,STAND STOPPER (Ref # 92075)	92075-1045	1
BOLT-UPSET (Ref # 113)	112C1030	1
BOLT-FLANGED,12X20 (Ref # 130)	130J1220	1
PIN,COTTER,2.0X12 (Ref # 550)	550D2012	1
PIN,COTTER,2.5X15 (Ref # 550A)	550D2515	1