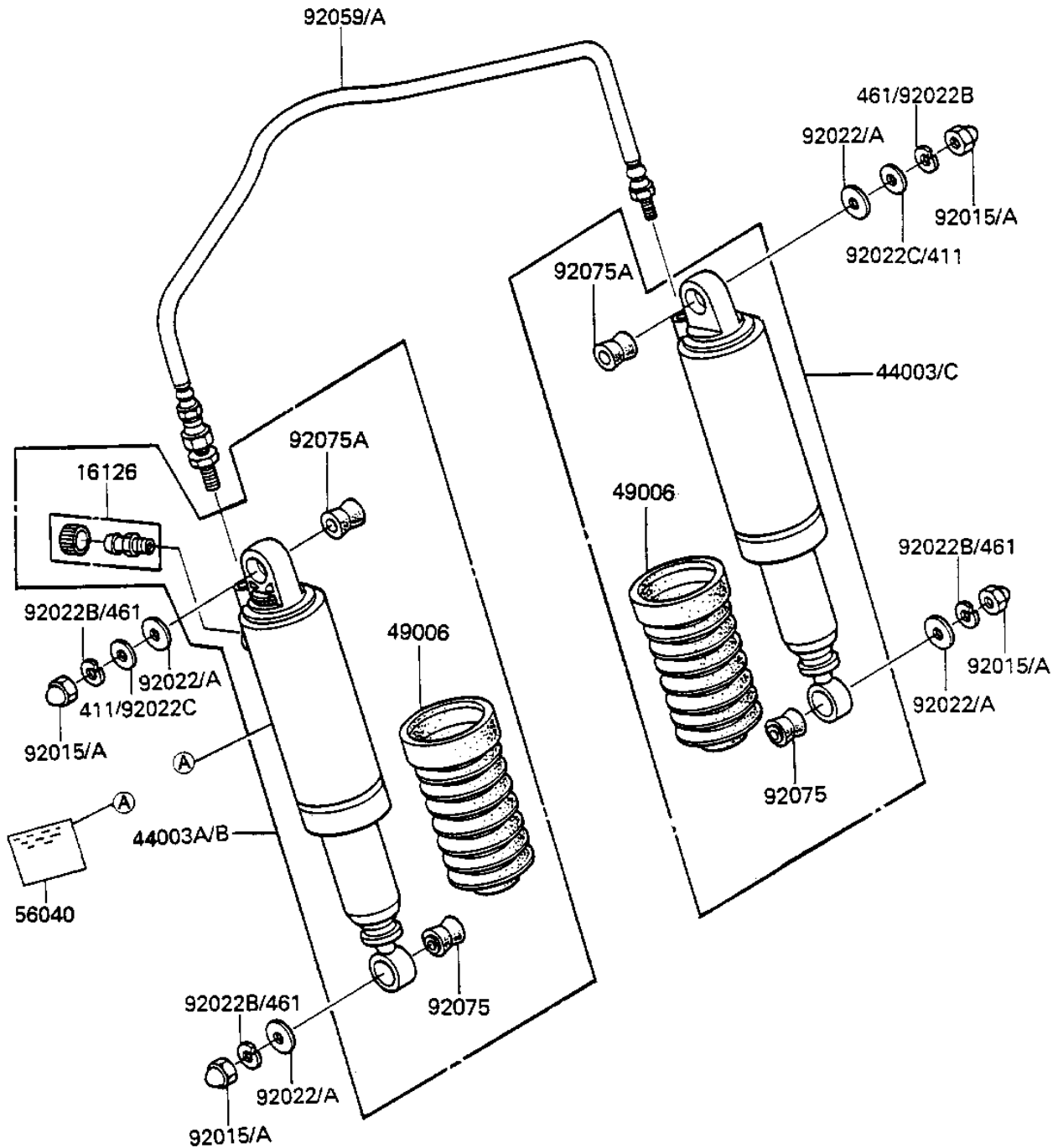


1984 LTD Shaft PARTS DIAGRAM

SHOCK ABSORBERS

F2150-0021



1984 LTD Shaft PARTS LIST

SHOCK ABSORBERS

ITEM NAME	PART NUMBER	QUANTITY
VALVE AIR (Ref # 16126)	16126-1052	1
DAMPER-ASSY,REAR SHOC (Ref # 44003B)	44003-1510	1
DAMPER-ASSY,REAR SHOC (Ref # 44003C)	44003-1511	1
BOOT,SHOCKABSORBER,BL (Ref # 49006)	49006-1092	2
LABEL-WARNING,SHOCKAB (Ref # 56040)	56040-1117	1
NUT SHOCK ABSORBER (Ref # 92015A)	92020-003	4
WASHER-PL-10.5X26X2.3 (Ref # 92022)	92022-044	4
WASHER,SPRING,10MM (Ref # 92022B)	92022-1540	4
WASHER,10.5X22X1.6 (Ref # 92022C)	92022-1558	2
TUBE,SHOCKABSORBER (Ref # 92059A)	92059-1453	1
BUSHING,SHOCK ABSORBE (Ref # 92075)	92075-1141	2
BUSHING,SHOCK ABSORBR (Ref # 92075A)	92075-1262	2