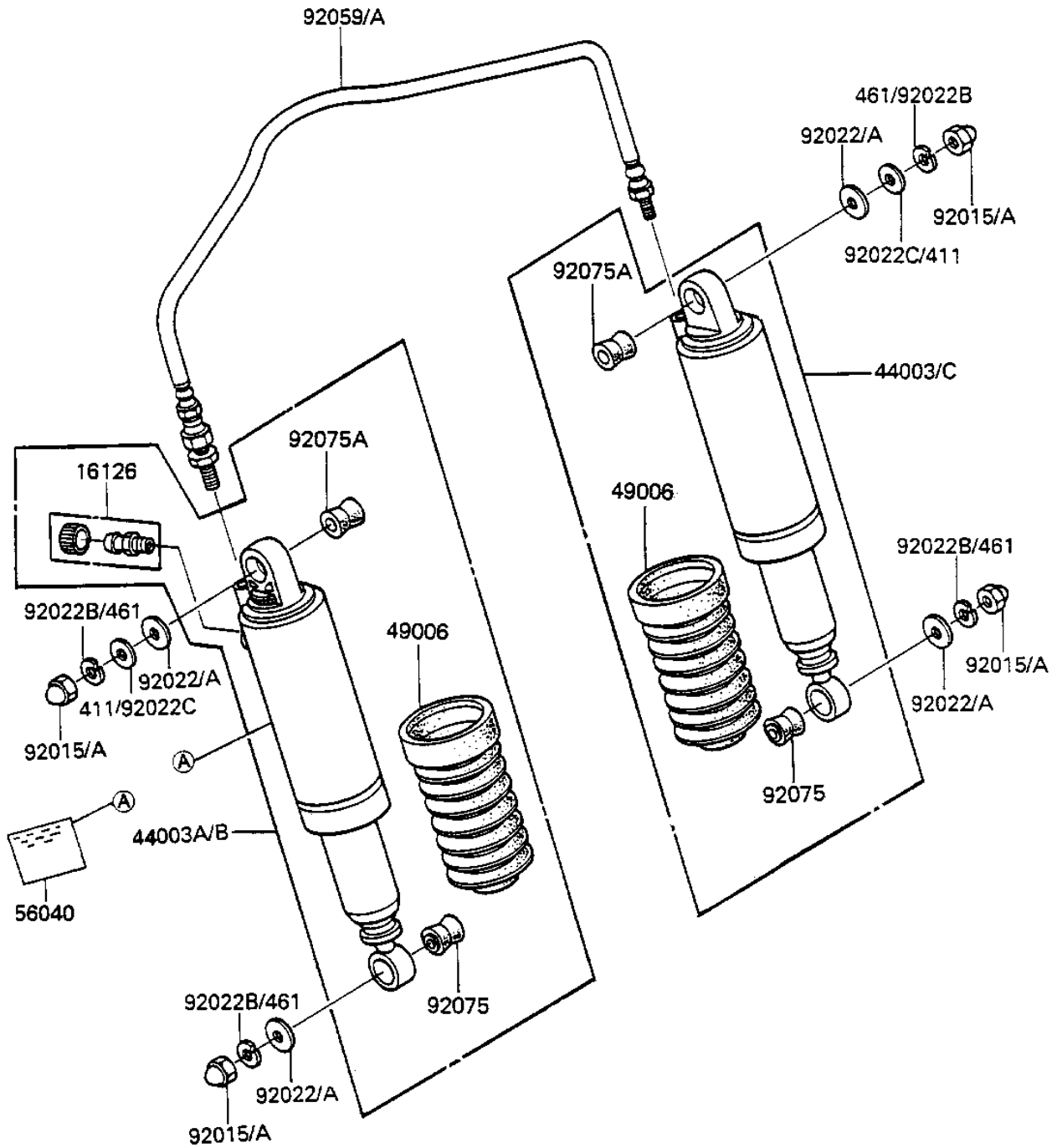


## 1983 Spectre PARTS DIAGRAM

SHOCK ABSORBERS

F2150-0021



## 1983 Spectre PARTS LIST

### SHOCK ABSORBERS

ITEM NAME	PART NUMBER	QUANTITY
VALVE AIR (Ref # 16126)	16126-1052	1
DAMPER-ASSY,RR,RH,GOL (Ref # 44003)	44003-1326	1
DAMPER-ASSY,RR,LH,GOL (Ref # 44003A)	44003-1327	1
BOOT,SHOCKABSORBER,BL (Ref # 49006)	49006-1092	1
NUT,CAP,10MM,BLACK (Ref # 92015)	92015-1203	1
WASHER,10.5X26X2.3,BL (Ref # 92022A)	92022-1396	1
TUBE,SHOCKABSORBER (Ref # 92059)	92059-1255	1
BUSHING,SHOCK ABSORBE (Ref # 92075)	92075-1141	1
BUSHING,SHOCK ABSORBR (Ref # 92075A)	92075-1262	1
WASHER (Ref # 411)	411F1000	1
WASHER-SPRING,10MM (Ref # 461)	461K1000	1