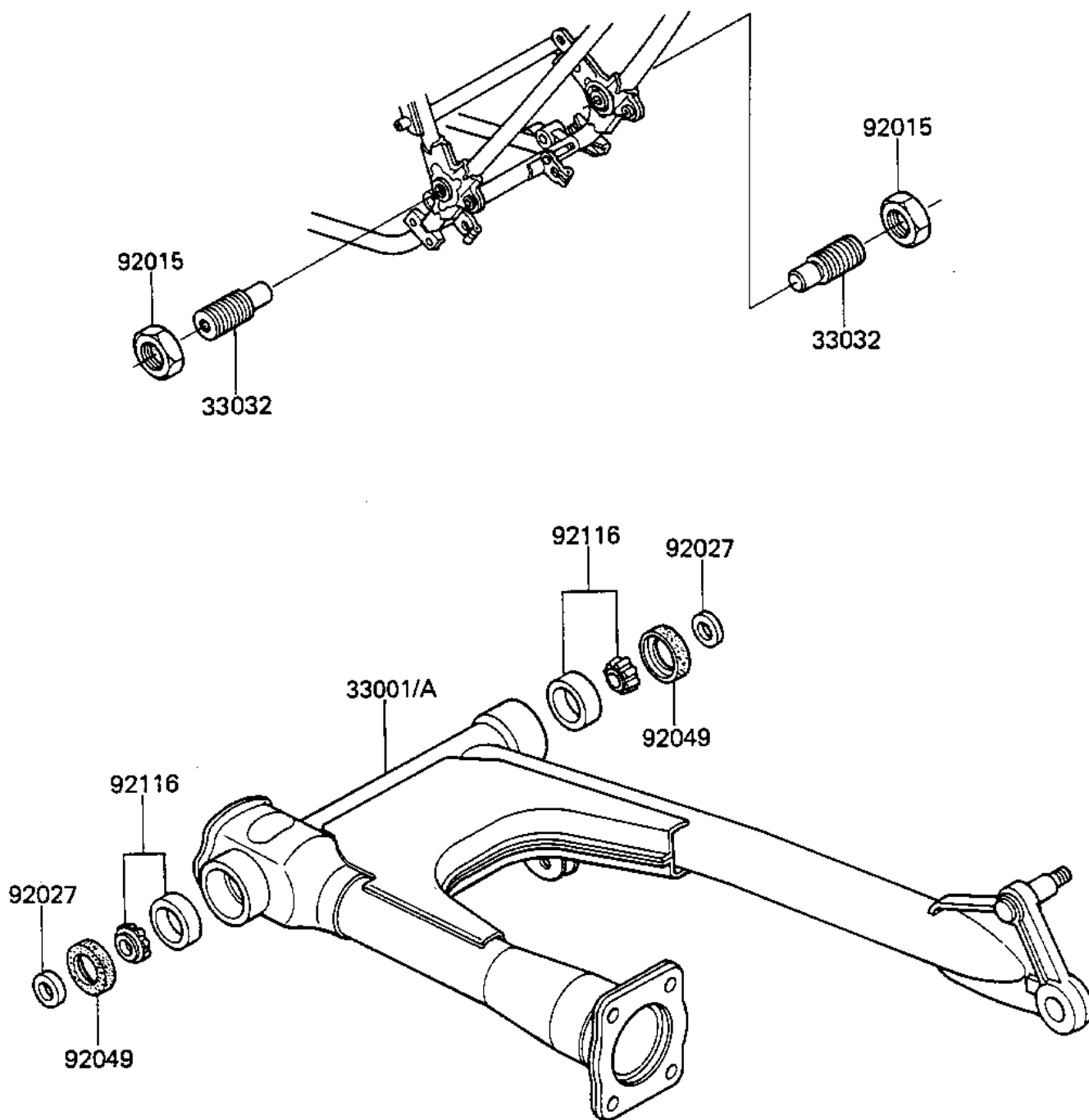


1983 Spectre PARTS DIAGRAM

SWING ARM

F2140-0145



1983 Spectre PARTS LIST

SWING ARM

ITEM NAME	PART NUMBER	QUANTITY
ARM-COMP-SWING (Ref # 33001)	33001-1148	1
SHAFT-SWING ARM (Ref # 33032)	33032-1034	1
NUT,22MM (Ref # 92015)	92015-1229	1
COLLAR,17X26X4.5 (Ref # 92027)	92027-1394	1
OIL SEAL,26406 (Ref # 92049)	92049-1030	1
BRG,ROLLER,4T30203E1 (Ref # 92116)	92116-1001	1