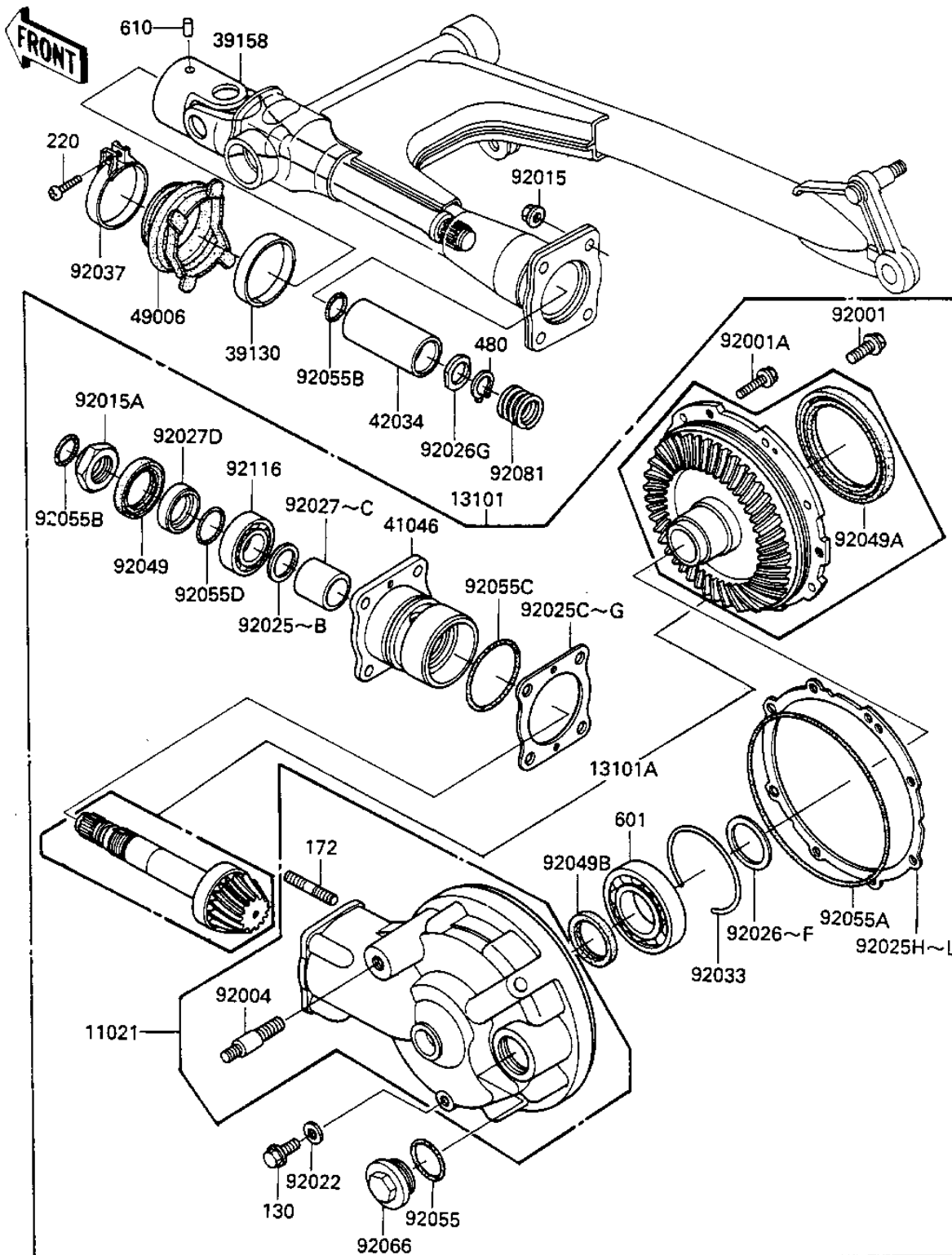


1983 Spectre PARTS DIAGRAM DRIVE SHAFT/FINAL GEARS (KZ550-F2)

E3132A-0008



1983 Spectre PARTS LIST

DRIVE SHAFT/FINAL GEARS (KZ550-F2)

ITEM NAME	PART NUMBER	QUANTITY
RING-SNAP,70MM (Ref # 92033)	92033-1093	1
CLAMP,BOOT FITTING (Ref # 92037)	92037-1112	1
OIL SEAL (Ref # 92049)	92049-1025	1
SEAL-OIL,SC759510 (Ref # 92049A)	92049-1085	1
SEAL-OIL,SC32435.5 (Ref # 92049B)	92049-1155	1
"O" RING,VLV ADJUST (Ref # 92055)	92055-1005	1
"O" RING,I.D=150.4MM (Ref # 92055A)	92055-1039	1
"O" RING,I.D=18.64MM (Ref # 92055B)	92055-1044	1
RING-0,55MM (Ref # 92055C)	92055-1120	1
RING-0.24.7MM (Ref # 92055D)	92055-1160	1
PLUG,OIL FILLER CAP,M (Ref # 92066)	92066-1006-7J	1
SPRING,DRIVE SHAFT (Ref # 92081)	92081-1717	1
BRG,ROLLER,4T-32005 (Ref # 92116)	92116-1004	1
BOLT, FLANGED,8X12 (Ref # 130)	130B0812	1
STUD 8X30 (Ref # 172)	172G0830	1
SCREW-PAN-CROS (Ref # 220)	220B0430	1
CIRCLIP 16MM (Ref # 480)	480J1600	1
BEARING-BALL,#6007 (Ref # 601)	601A6007	1
PIN-DOWEL,4X6 (Ref # 610)	610A0406	1