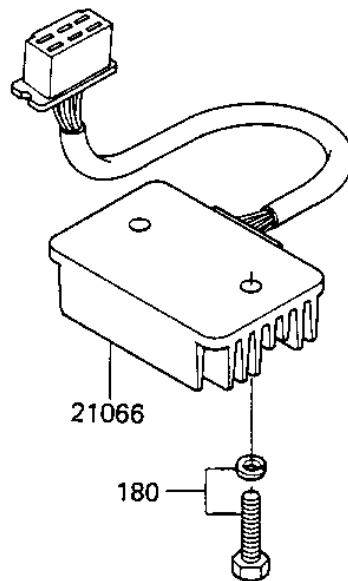
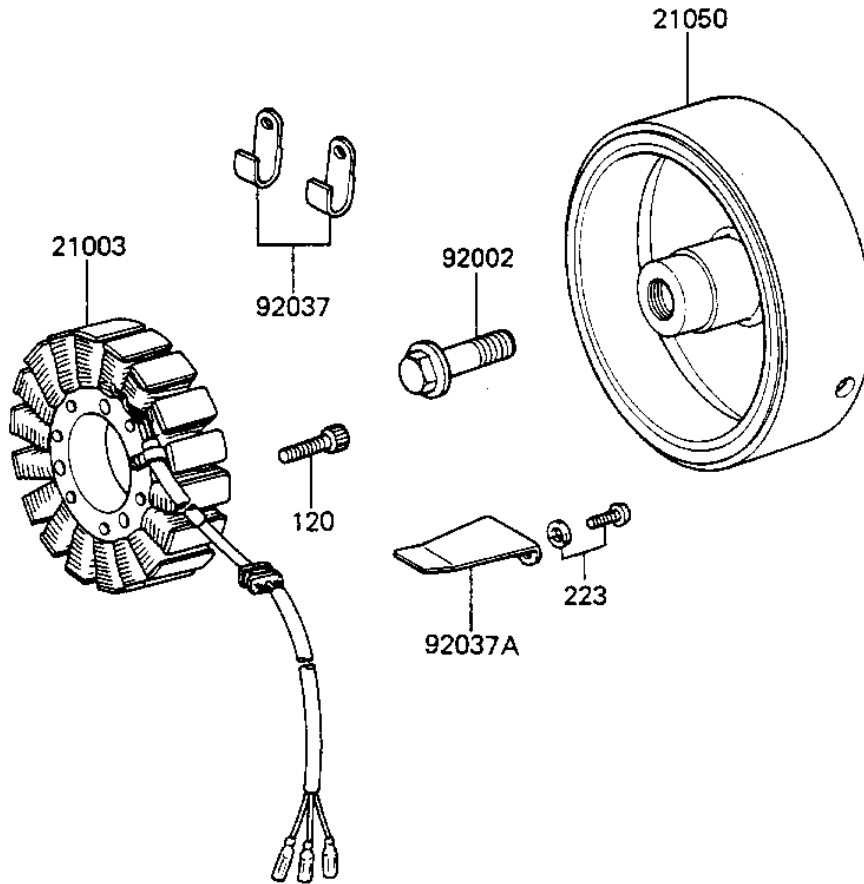


1984 LTD Shaft PARTS DIAGRAM

GENERATOR/REGULATOR

E1810-0073



1984 LTD Shaft PARTS LIST

GENERATOR/REGULATOR

ITEM NAME	PART NUMBER	QUANTITY
STATOR,GENERATOR (Ref # 21003)	21003-1038	1
FLYWHEEL,GENERATOR (Ref # 21050)	21050-1019	1
REGULATOR-VOLTAGE (Ref # 21066)	21066-1030	1
BOLT,10X40 (Ref # 92002)	92002-1296	1
CLAMP,WIRING HARNESS (Ref # 92037)	21126-008	2
CLAMP,GENERATOR WIRE (Ref # 92037A)	92037-1122	1
BOLT,ALLEN,6X28 (Ref # 120)	120P0628	3
BOLT-UPSET-WS,6X25 (Ref # 180)	180B0625	2
SCREW-PAN-WS-CROS (Ref # 223)	223B0512	2