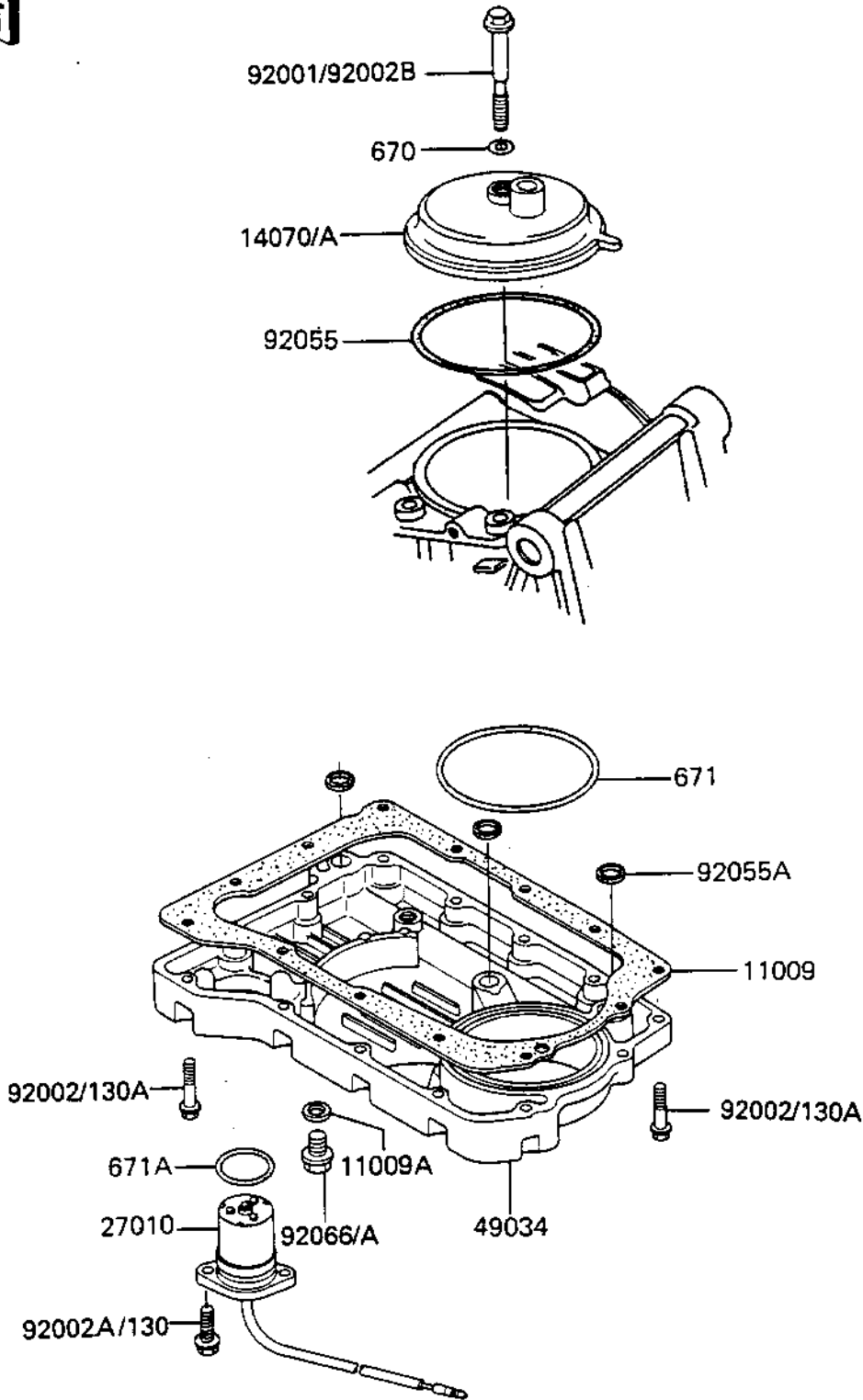


1983 Spectre PARTS DIAGRAM

BREATHER COVER/OIL PAN

E1432-0019



1983 Spectre PARTS LIST

BREATHER COVER/OIL PAN

| ITEM NAME | PART NUMBER | QUANTITY |
|------------------------------------|-------------|----------|
| GASKET,OIL PAN (Ref # 11009) | 11060-1057 | 1 |
| GASKET,DRIN PLUG (Ref # 11009A) | 92065-097 | 1 |
| BODY-BREATHER,GOLD (Ref # 14070A) | 14070-1009 | 1 |
| SWITCH,OIL LEVEL (Ref # 27010) | 27010-1057 | 1 |
| PAN-OIL (Ref # 49034) | 49034-1021 | 1 |
| BOLT,HEX HEAD,8X72 (Ref # 92001) | 92003-107 | 1 |
| "O" RING,91MM (Ref # 92055) | 92055-052 | 1 |
| "O" RING (Ref # 92055A) | 92055-077 | 1 |
| PLUG,OIL DRAIN,12X15 (Ref # 92066) | 92066-1174 | 1 |
| BOLT-FLANGED,6X16 (Ref # 130) | 130G0616 | 1 |
| BOLT,FLANGED,6X25 (Ref # 130A) | 130G0625 | 1 |
| "O" RING,8MM (Ref # 670) | 670B1508 | 1 |
| "O" RING,90MM (Ref # 671) | 671B2590 | 1 |
| O RING,25MM (Ref # 671A) | 671E2525 | 1 |