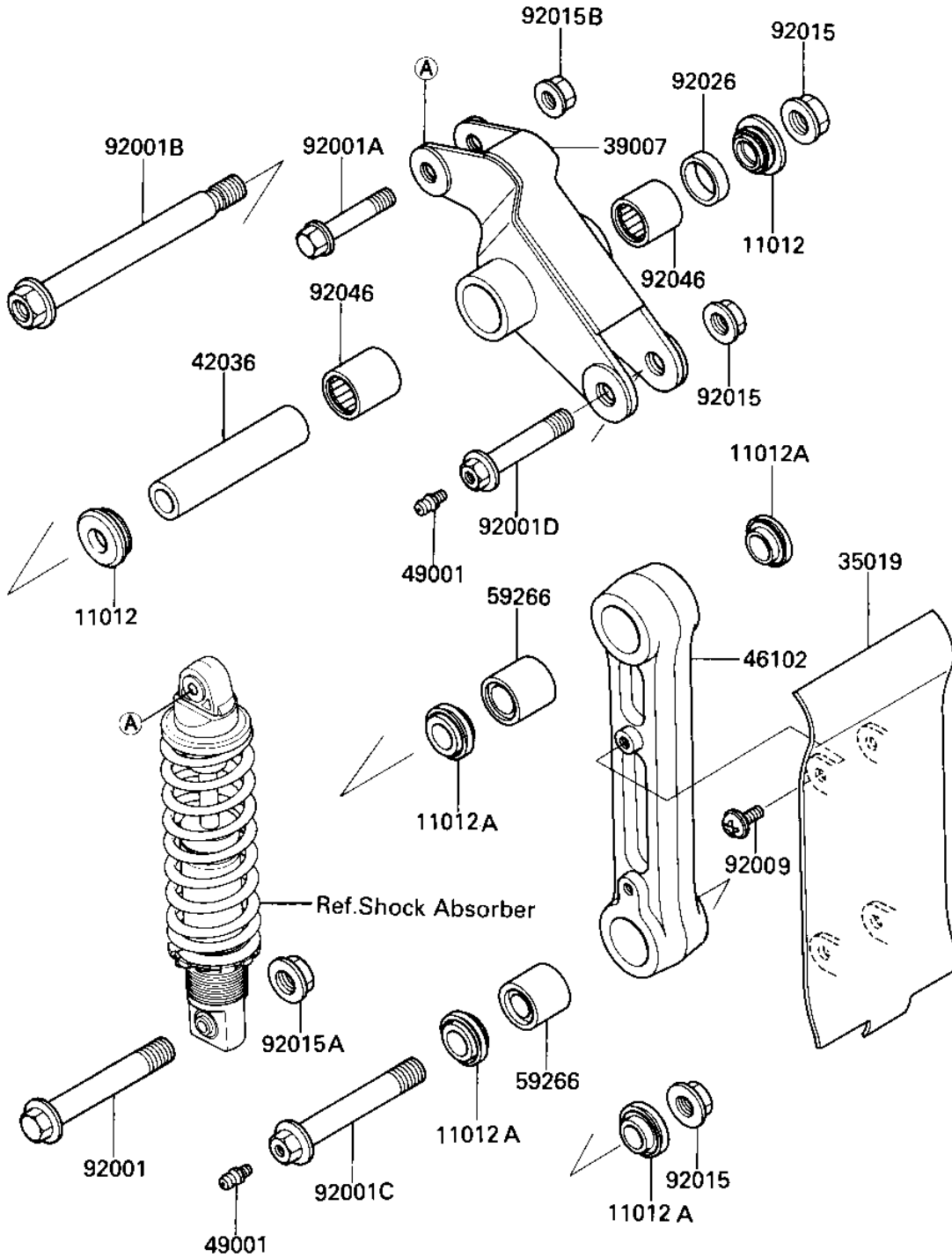


1984 KX500 PARTS DIAGRAM

REAR SUSPENSION ('84 A2)

F2150-0040



1984 KX500 PARTS LIST

REAR SUSPENSION ('84 A2)

| ITEM NAME | PART NUMBER | QUANTITY |
|-------------------------------------|-------------|----------|
| CAP,SWING ARM (Ref # 11012) | 11012-1207 | 2 |
| CAP,ROD (Ref # 11012A) | 11012-1258 | 4 |
| FLAP,ROD (Ref # 35019) | 35019-1112 | 1 |
| ARM-SUSP,UNI TRAK (Ref # 39007) | 39007-1052 | 1 |
| SLEEVE,SUSPENSION ARM (Ref # 42036) | 42036-1119 | 1 |
| ROD,UNI TRAK,L=197 (Ref # 46102) | 46102-1112 | 1 |
| NIPPLE-GREASE,ROD BOL (Ref # 49001) | 49001-1051 | 2 |
| JOINT-BALL,SB142820E0 (Ref # 59266) | 59266-1052 | 2 |
| BOLT,FLANGED,12X88 (Ref # 92001) | 92001-1693 | 1 |
| BOLT,10X50 (Ref # 92001A) | 92001-1913 | 1 |
| BOLT,14X143 (Ref # 92001B) | 92001-1923 | 1 |
| BOLT,14X82 (Ref # 92001C) | 92001-1972 | 1 |
| BOLT,14X60 (Ref # 92001D) | 92001-1973 | 1 |
| SCREW,6X10 (Ref # 92009) | 92009-1286 | 4 |
| NUT,14MM (Ref # 92015) | 92015-1407 | 3 |
| NUT-12MM (Ref # 92015A) | 92015-1156 | 1 |
| NUT,10MM (Ref # 92015B) | 92015-1415 | 1 |
| SPACER,SUSPENSION ARM (Ref # 92026) | 92026-1203 | 1 |
| BRG,NEEDLE,HMK2030 (Ref # 92046) | 92046-1031 | 2 |