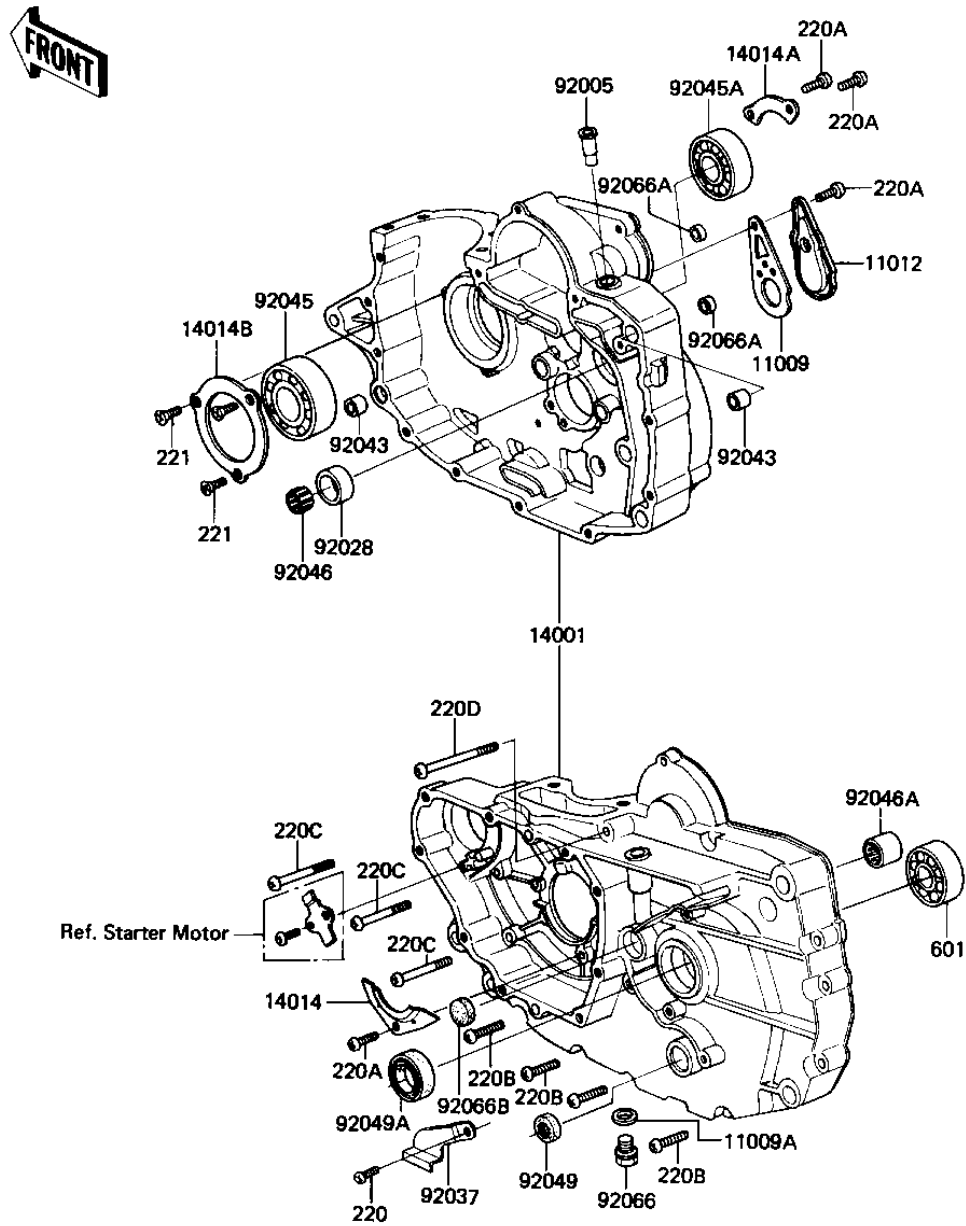


1983 LTD Belt PARTS DIAGRAM

CRANKCASE

E1411-0073



1983 LTD Belt PARTS LIST

CRANKCASE

| ITEM NAME | PART NUMBER | QUANTITY |
|--|-------------|----------|
| GASKET (Ref # 11009) | 16079-002 | 1 |
| GASKET,DRIN PLUG (Ref # 11009A) | 92065-097 | 1 |
| CAP (Ref # 11012) | 16078-002 | 1 |
| SET-CRANKCASE (Ref # 14001) | 14001-5129 | 1 |
| PLATE,POSITIONING,CAM CHAIN (Ref # 14014) | 14014-035 | 1 |
| PLATE,POSITIONING,CHANGE DRUM (Ref # 14014A) | 14014-037 | 1 |
| PLATE,POSITIONING (Ref # 14014B) | 14014-1004 | 1 |
| BREATHER JOINT (Ref # 92005) | 14067-006 | 1 |
| BUSHING (Ref # 92028) | 92028-132 | 1 |
| CLAMP,HARNESS (Ref # 92037) | 92037-1273 | 1 |
| PIN,DOWEL,14MM (Ref # 92043) | 92042-032 | 2 |
| BEARING,BALL,#6306 (Ref # 92045) | 92045-037 | 1 |
| BEARING,BALL#6006 (Ref # 92045A) | 92045-038 | 1 |
| BEARING-NEEDLE (Ref # 92046) | 92046-1184 | 1 |
| BRG,NEEDLE,HMK1515B (Ref # 92046A) | 92046-060 | 1 |
| OIL SEAL,CHANGE SHAFT (Ref # 92049) | 92050-082 | 1 |
| SEAL-OIL,TC32457 (Ref # 92049A) | 92049-1159 | 1 |
| PLUG,OIL DRAIN,12X15 (Ref # 92066) | 92066-1174 | 1 |
| PLUG (Ref # 92066A) | 92066-1282 | 2 |
| PLUG (Ref # 92066B) | 92066-1116 | 1 |
| SCREW PAN HEAD 6X10 (Ref # 220) | 220B0610 | 1 |
| SCREW PAN HEAD 6X14 (Ref # 220A) | 220B0614 | 4 |
| SCREW PAN HEAD 6X30 (Ref # 220B) | 220B0630 | 9 |
| SCREW PAN HEAD 6X55 (Ref # 220C) | 220B0655 | 3 |
| SCREW PAN HEAD 6X75 (Ref # 220D) | 220B0675 | 1 |
| SCREW CNTSNK HD 6X16 (Ref # 221) | 221B0616 | 3 |
| BEARING BALL #6205 (Ref # 601) | 601B6205 | 1 |