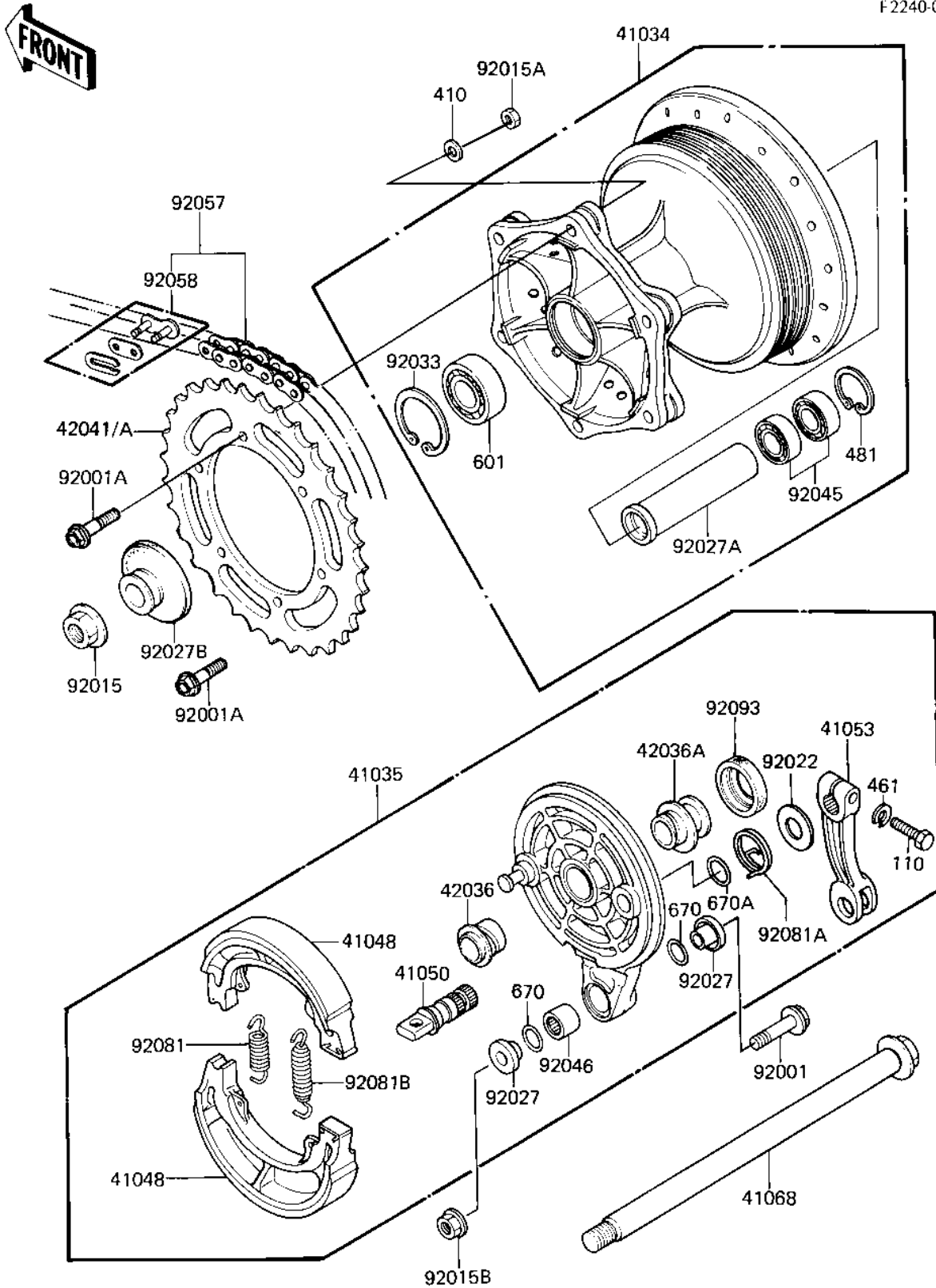


# 1983 KX250 PARTS DIAGRAM

REAR HUB/BRAKE/CHAIN

F2240-0112



# 1983 KX250 PARTS LIST

## REAR HUB/BRAKE/CHAIN

ITEM NAME	PART NUMBER	QUANTITY
DRUM-ASSY,REAR BRAKE (Ref # 41034)	41034-5005	1
PANEL-ASSY-BRAKE,RR (Ref # 41035)	41035-1107	1
SHOE,BRAKE (Ref # 41048)	42019-010	2
CAM-BRAKE,RR (Ref # 41050)	41050-1027	1
LEVER-BRAKE CAM.RR (Ref # 41053)	41053-1034	1
AXLE,RR,L=264 (Ref # 41068)	41068-1076	1
SLEEVE (Ref # 42036)	42036-1052	1
SLEEVE (Ref # 42036A)	42036-1053	1
SPROCKET-HUB,48T (Ref # 42041)	42041-1125	1
SPROCKET-HUB,50T (Ref # 42041A)	42041-1132	1
BOLT,FLANGED,8X38 (Ref # 92001)	92001-1178	1
BOLT,FLANGED,8X35 (Ref # 92001A)	92001-1577	6
NUT,16M/M (Ref # 92015)	92015-1015	1
NUT,8MM (Ref # 92015A)	92015-1134	6
NUT-8MM (Ref # 92015B)	92015-1143	1
WASHER,14X30X0.8 (Ref # 92022)	92022-1402	1
COLLAR (Ref # 92027)	92027-1040	2
COLLAR (Ref # 92027A)	92027-1384	1
COLLAR (Ref # 92027B)	92027-1385	1
RING, SNAP,43.5M/M (Ref # 92033)	92033-1040	1
BEARING-BALL,#6003UC3 (Ref # 92045)	601B6003U	2
BEARING,NEEDLE (Ref # 92046)	92046-1009	1
CHAIN,DRIVE,DID520DSX (Ref # 92057)	92057-1317	1
JOINT,DRIVE CHAIN (Ref # 92058)	92058-1013	1
SPRING,BRAKE SHOE (Ref # 92081)	92081-1766	1
SPRING,BRAKE LEVER (Ref # 92081A)	92081-1520	1
SPRING,BRAKE SHOE (Ref # 92081B)	92081-1550	1
OIL SEAL (Ref # 92093)	92093-1004	1
BOLT-UPSET (Ref # 110)	112G0622	1

# 1983 KX250 PARTS LIST

## REAR HUB/BRAKE/CHAIN

ITEM NAME	PART NUMBER	QUANTITY
WASHER PLAIN 8MM (Ref # 410)	410B0800	6
WASHER SPRING 6MM (Ref # 461)	461F0600	1
CIRCLIP,35MM (Ref # 481)	481J3500	1
BEARING BALL (Ref # 601)	601B6203U	1
"O" RING (Ref # 670)	670B2011	2
"O" RING,15MM (Ref # 670A)	670B2015	1