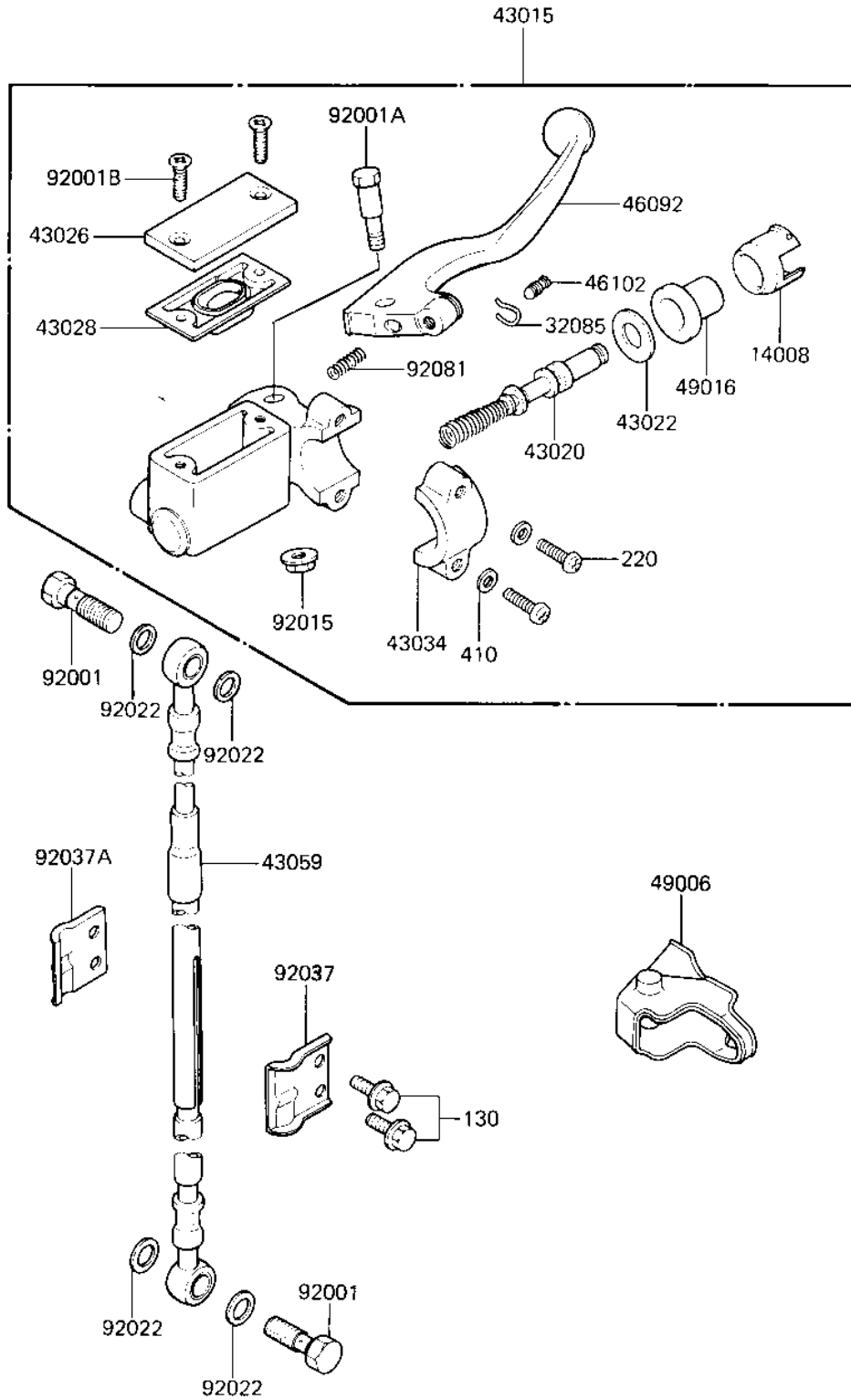


1983 KX250 PARTS DIAGRAM

FRONT MASTER CYLINDER ('83 KX250-C1)



F2291-0090



1983 KX250 PARTS LIST

FRONT MASTER CYLINDER ('83 KX250-C1)

ITEM NAME	PART NUMBER	QUANTITY
LINER (Ref # 14008)	14008-1030	1
CYLINDER-ASSY-MASTER (Ref # 43015)	43015-1281	1
PISTON-COMP-BRAKE (Ref # 43020)	43020-1021	1
STOPPER-BRAKE (Ref # 43022)	43022-1008	1
CAP-BRAKE (Ref # 43026)	43026-1019	1
DIAPHRAGM (Ref # 43028)	43028-1030	1
HOLDER-BRAKE (Ref # 43034)	43034-1012	1
HOSE-BRAKE (Ref # 43059)	43059-1155	1
LEVER-GRIP,BRAKE (Ref # 46092)	46092-1108	1
ROD,BRAKE LEVER ADJUS (Ref # 46102)	46102-1042	1
BOOT,BRAKE LEVER (Ref # 49006)	49006-1090	1
COVER-SEAL (Ref # 49016)	49016-1035	1
BOLT,OIL,L=23 (Ref # 92001)	92002-1888	2
BOLT,6X37.3,BLACK (Ref # 92001A)	92001-1512	1
SCREW-COUNTERSUNK (Ref # 92001B)	92001-1532	2
NUT,LOCK,6MM,BLACK (Ref # 92015)	92015-1191	1
WASHER-OIL BOLT (Ref # 92022)	43067-001	4
CLAMP,BRAKE HOSE,OUTS (Ref # 92037)	92037-1362	1
CLAMP,BRAKE HOSE,INSI (Ref # 92037A)	92037-1363	1
SPRING,BRAKE LEVER (Ref # 92081)	92081-1428	1
BOLT,FLANGED,6X14 (Ref # 130)	130G0614	2
SCREW PAN HEAD 6X25 (Ref # 220)	220B0625	2
WASHER PLAIN 6MM (Ref # 410)	410B0600	2