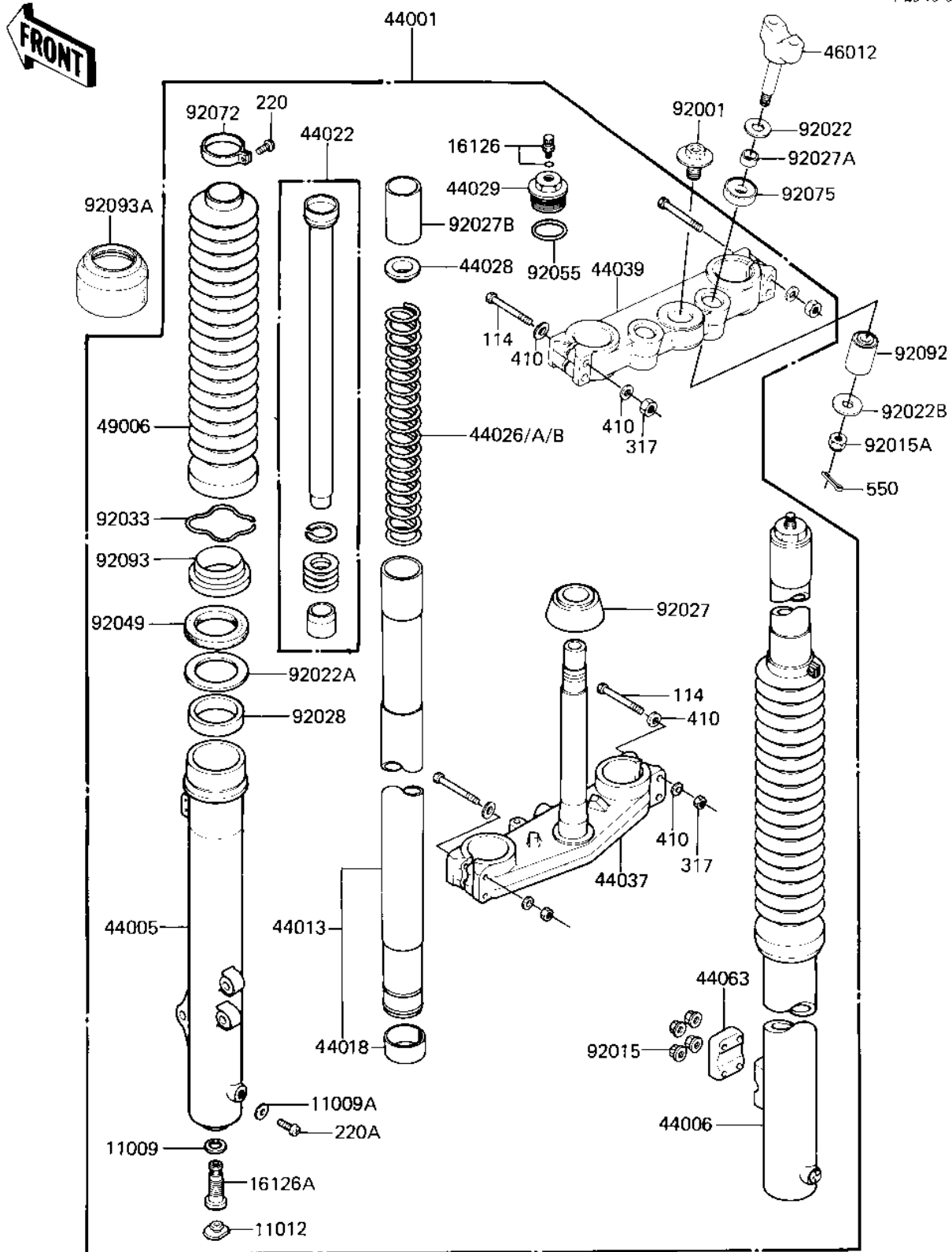


1983 KX250 PARTS DIAGRAM

FRONT FORK ('83 KX250-C1)

F2340-0160



1983 KX250 PARTS LIST

FRONT FORK ('83 KX250-C1)

| ITEM NAME | PART NUMBER | QUANTITY |
|--------------------------------------|-------------|----------|
| GASKET,FORK CYLINDER (Ref # 11009) | 11009-1324 | 2 |
| GASKET FORK DRAIN PLG (Ref # 11009A) | 44045-002 | 2 |
| CAP,FORK CYLINDER (Ref # 11012) | 11012-1277 | 2 |
| VALVE,AIR FRONT FORK (Ref # 16126) | 16126-1048 | 2 |
| VALVE,FORK CYLINDER (Ref # 16126A) | 16126-1054 | 2 |
| FORK-FRONT (Ref # 44001) | 44001-1437 | 1 |
| PIPE-LEFT FORK OUTER (Ref # 44005) | 44005-1122 | 1 |
| PIPE-RIGHT FORK OUTER (Ref # 44006) | 44006-1122 | 1 |
| PIPE-FORK INNER (Ref # 44013) | 44013-1101 | 2 |
| PISTON-FORK (Ref # 44018) | 44018-1005 | 2 |
| CYLINDER-FORK (Ref # 44022) | 44022-1095 | 2 |
| SPRING-FRONT FORK (Ref # 44026) | 44026-1192 | 2 |
| SPRING-FRONT FORK,K=0 (Ref # 44026A) | 44026-1196 | 2 |
| SPRING-FRONT FORK,K=0 (Ref # 44026B) | 44026-1294 | 2 |
| GUIDE-FORK SPRING (Ref # 44028) | 44028-1010 | 2 |
| SEAT-FORK SPRING (Ref # 44029) | 44029-1041 | 2 |
| HOLDER-FORK UNDER (Ref # 44037) | 44037-1084 | 1 |
| HOLDER-FORK UPPER (Ref # 44039) | 44039-1075 | 1 |
| HOLDER-FRONT AXLE (Ref # 44063) | 44063-1008 | 1 |
| HOLDER-HANDLE (Ref # 46012) | 46012-1015 | 2 |
| BOOT (Ref # 49006) | 49006-1081 | 2 |
| BOLT (Ref # 92001) | 92001-1520 | 1 |
| NUT-6MM (Ref # 92015) | 92015-1078 | 4 |
| NUT,LOCK,10MM (Ref # 92015A) | 92019-021 | 2 |
| WASHER,12.4X28X2.3 (Ref # 92022) | 92022-1239 | 2 |
| WASHER (Ref # 92022A) | 92022-1299 | 2 |
| WASHER-HANDLEBAR FIT (Ref # 92022B) | 92022-196 | 2 |
| COLLAR,FRONT FORK (Ref # 92027) | 92027-1427 | 1 |
| COLLAR,12.5X16X8 (Ref # 92027A) | 92027-1474 | 2 |

1983 KX250 PARTS LIST

FRONT FORK ('83 KX250-C1)

| ITEM NAME | PART NUMBER | QUANTITY |
|-------------------------------------|-------------|----------|
| COLLAR,FORK INNER (Ref # 92027B) | 92027-1533 | 2 |
| BUSHING (Ref # 92028) | 92028-1145 | 2 |
| RING-SNAP (Ref # 92033) | 92033-1077 | 2 |
| SEAL-OIL,FORK OUTER T (Ref # 92049) | 92049-1295 | 2 |
| RING-O (Ref # 92055) | 92055-1123 | 2 |
| BAND (Ref # 92072) | 92072-1078 | 2 |
| DAMPER,HANDLE HOLDER (Ref # 92075) | 92075-1398 | 2 |
| BUSH SWING ARM SHAFT (Ref # 92092) | 92092-005 | 2 |
| SEAL,FORK DUST (Ref # 92093) | 92093-1086 | 2 |
| SEAL,FORK DUST (Ref # 92093A) | 92093-1094 | 2 |
| BOLT,HEX HEAD,8X55 (Ref # 114) | 114G0855 | 8 |
| SCREW-PAN-CROS (Ref # 220) | 220B0316 | 2 |
| SCREW PAN HEAD 4X8 (Ref # 220A) | 220B0408 | 2 |
| NUT,8MM (Ref # 317) | 317G0800 | 8 |
| WASHER PLAIN 8MM (Ref # 410) | 410B0800 | 16 |
| PIN COTTER 2.0X20 (Ref # 550) | 550D2020 | 2 |