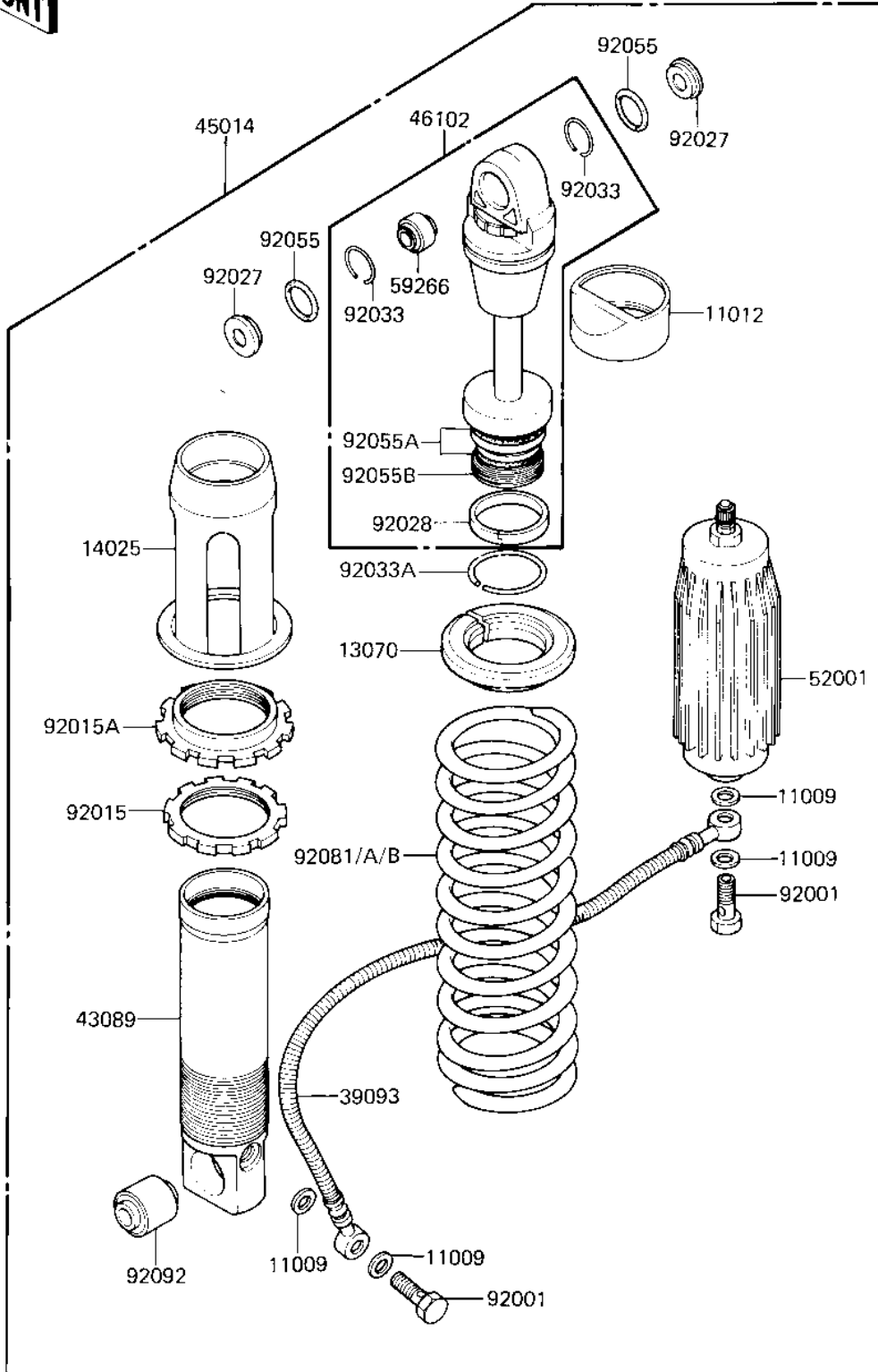


1983 KX250 PARTS DIAGRAM

SHOCK ABSORBER ('83 KX250-C1)



F2280-0007



1983 KX250 PARTS LIST

SHOCK ABSORBER ('83 KX250-C1)

ITEM NAME	PART NUMBER	QUANTITY
GASKET,FORK CYLINDER (Ref # 11009)	44045-057	4
CAP,REARSHOCK (Ref # 11012)	11012-1278	1
GUIDE,SPRING (Ref # 13070)	13070-1075	1
COVER,SHOCKABSORBER (Ref # 14025)	14025-1664	1
PIPE-COMP-SUSP (Ref # 39093)	39093-1083	1
CYLINDER-SHOCKABSORBE (Ref # 43089)	43089-1049	1
SHOCKABSORBER,RR (Ref # 45014)	45014-1224	1
ROD,SHOCKABSORBER (Ref # 46102)	46102-1067	1
TANK-OIL,REARSHOCK (Ref # 52001)	52001-1017	1
JOINT-BALL (Ref # 59266)	59266-1014	1
BOLT,PIPE-COMP-SUSP (Ref # 92001)	92001-1752	2
NUT,SPRING ADJUST LOC (Ref # 92015)	92015-1238	1
NUT,SPRING ADJUST (Ref # 92015A)	92015-1239	1
COLLAR,REARSHOCK (Ref # 92027)	92027-1534	2
BUSHING,ROD (Ref # 92028)	92028-1198	1
RING-SNAP,REARSHOCK (Ref # 92033)	92033-1090	2
RING-SNAP,REARSHOCK (Ref # 92033A)	92033-1091	1
RING-O,REARSHOCK (Ref # 92055)	92055-1156	2
RING-O,ROD (Ref # 92055A)	92055-1181	2
RING-O,ROD (Ref # 92055B)	92055-1158	1
SPRING,SHOCKABSORBER (Ref # 92081)	92081-1517	1
SPRING,SHOCKABSORBER, (Ref # 92081A)	92081-1523	1
SPRING,SHOCKABSORBER, (Ref # 92081B)	92081-1558	1
BUSHING-RUBBER,SHOCKA (Ref # 92092)	92092-1008	1