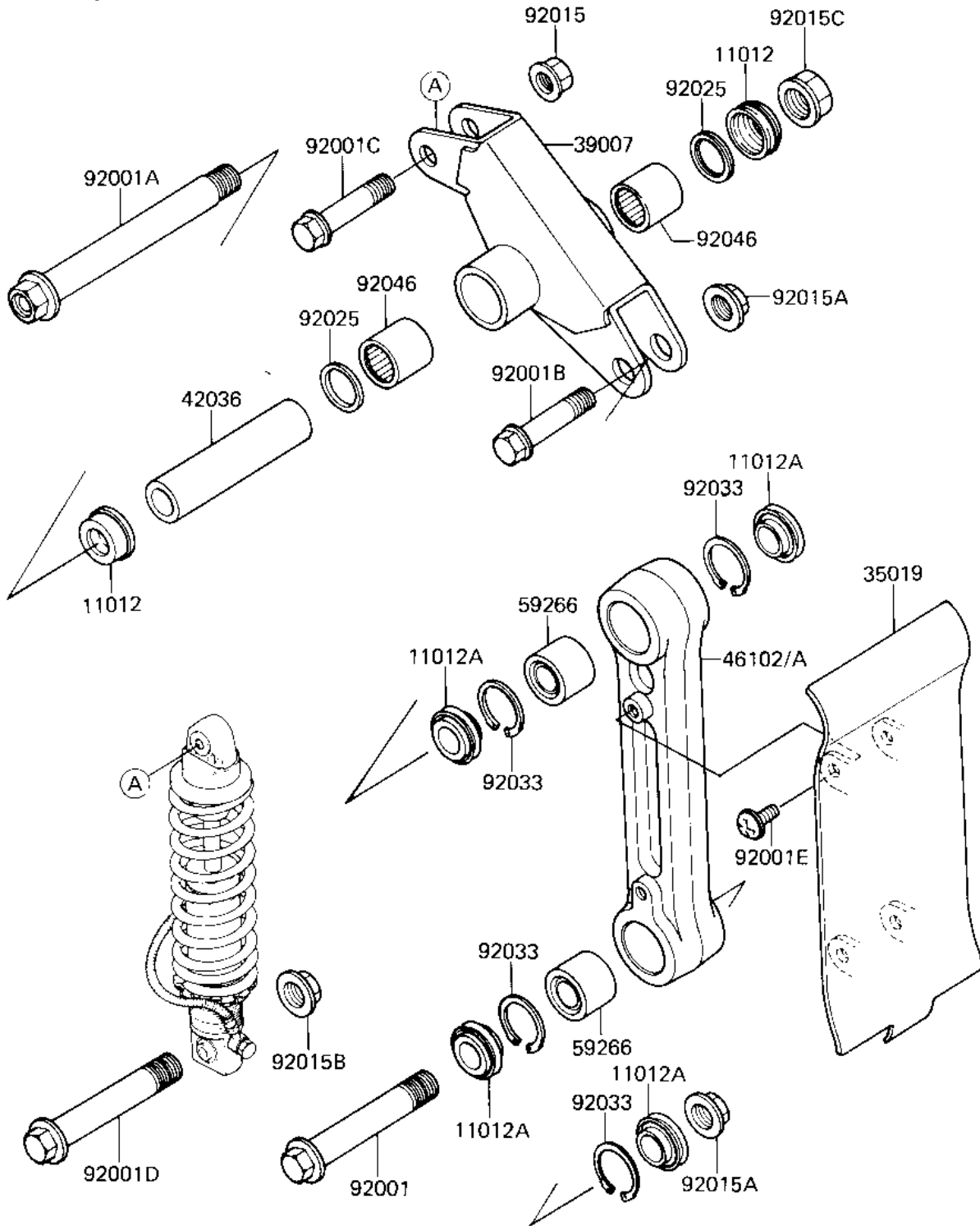


1983 KX250 PARTS DIAGRAM

REAR SUSPENSION ('83 KX250-C1)



F2150-0019



1983 KX250 PARTS LIST

REAR SUSPENSION ('83 KX250-C1)

ITEM NAME	PART NUMBER	QUANTITY
CAP (Ref # 11012)	11012-1203	2
CAP,ROD (Ref # 11012A)	11012-1258	4
FLAP,ROD (Ref # 35019)	35019-1112	1
ARM-SUSP,UNIT TRAK (Ref # 39007)	39007-1022	1
SLEEVE,SUSPENSION ARM (Ref # 42036)	42036-1063	1
ROD,UNI TRAK (Ref # 46102)	46102-1056	1
ROD,UNI TRAK,L=203 (Ref # 46102A)	46102-1066	1
JOINT-BALL,SB142820E0 (Ref # 59266)	59266-1052	2
BOLT,FLANGED,14X82 (Ref # 92001)	92001-1686	1
BOLT,SUSPENSION ARM (Ref # 92001A)	92001-1687	1
BOLT,FLANGED,14X57 (Ref # 92001B)	92001-1688	1
BOLT,FLANGED,10X50 (Ref # 92001C)	92001-1692	1
BOLT,FLANGED,12X88 (Ref # 92001D)	92001-1693	1
SCREW,6X10 (Ref # 92001E)	92009-1286	4
NUT,10MM (Ref # 92015)	92015-1415	1
NUT,14MM (Ref # 92015A)	92015-1407	2
NUT-12MM (Ref # 92015B)	92015-1156	1
NUT,16MM (Ref # 92015C)	92015-1046	1
SHIM (Ref # 92025)	92025-1229	2
RING,SNAP (Ref # 92033)	92033-1064	4
BEARING-NEEDLE (Ref # 92046)	92046-1041	2