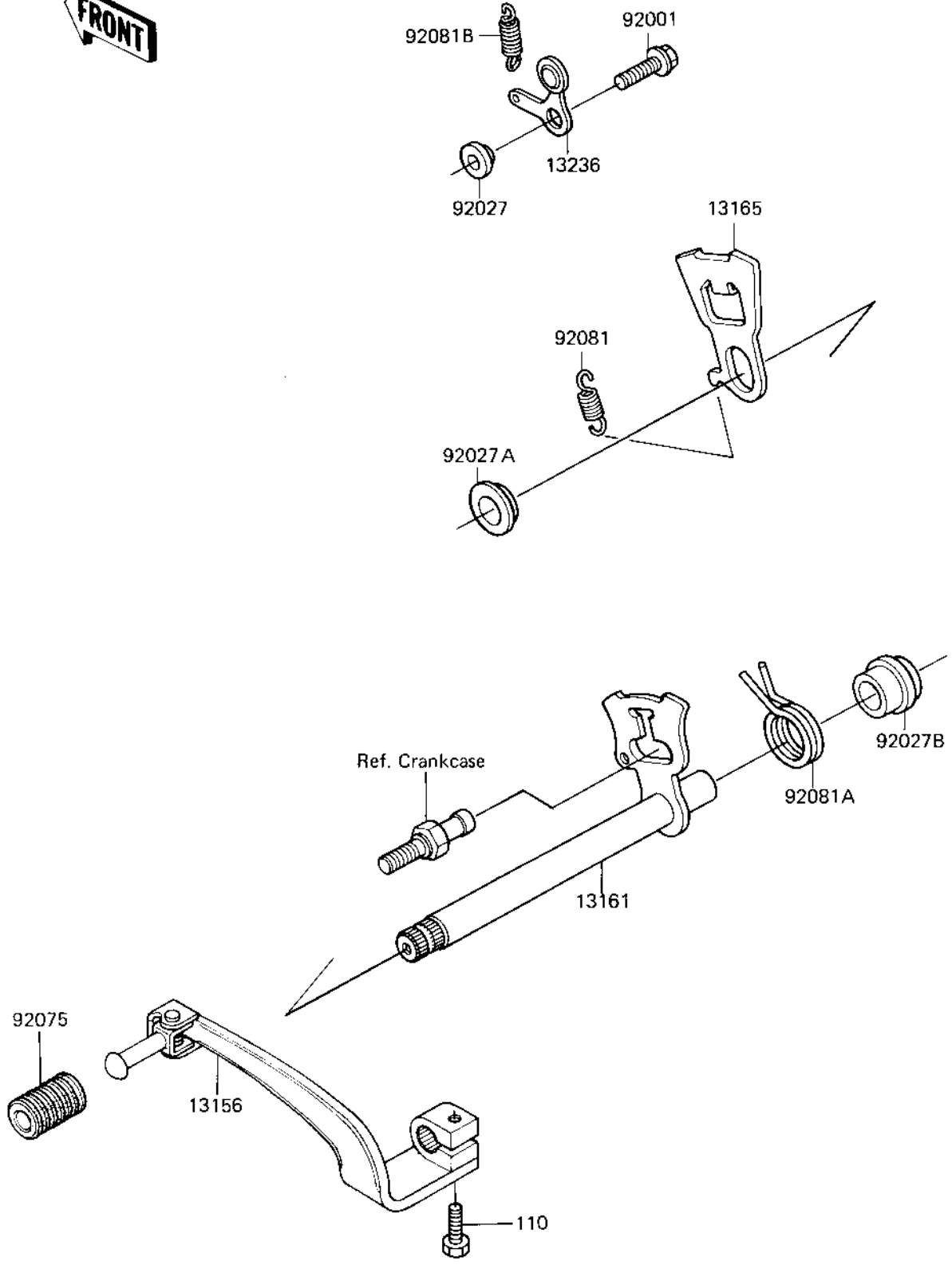


1983 KX250 PARTS DIAGRAM

GEAR CHANGE MECHANISM ('83 KX250-C1)

L1370-0096



1983 KX250 PARTS LIST

GEAR CHANGE MECHANISM ('83 KX250-C1)

ITEM NAME	PART NUMBER	QUANTITY
LEVER-CHANGE,PEDAL (Ref # 13156)	13156-1113	1
LEVER-COMP-CHANGE SHA (Ref # 13161)	13161-1042	1
PAWL,CHANGE LEVER (Ref # 13165)	13165-1038	1
LEVER,CHANGE DRUM (Ref # 13236)	13236-1021	1
BOLT-FLANGED-SMALL (Ref # 92001)	132G0616	1
COLLAR (Ref # 92027)	92027-1248	1
COLLAR,CHANGE SHAFT,L (Ref # 92027A)	92027-1512	1
COLLAR,RETURN SPRING, (Ref # 92027B)	92027-1513	1
DAMPER (Ref # 92075)	92075-1310	1
SPRING-CHANGE LEVER (Ref # 92081)	92081-076	1
SPRING,TENTION (Ref # 92081A)	92081-1129	1
SPRING,CHNG DRUM LEV (Ref # 92081B)	92083-012	1
BOLT-UPSET (Ref # 110)	112G0625	1