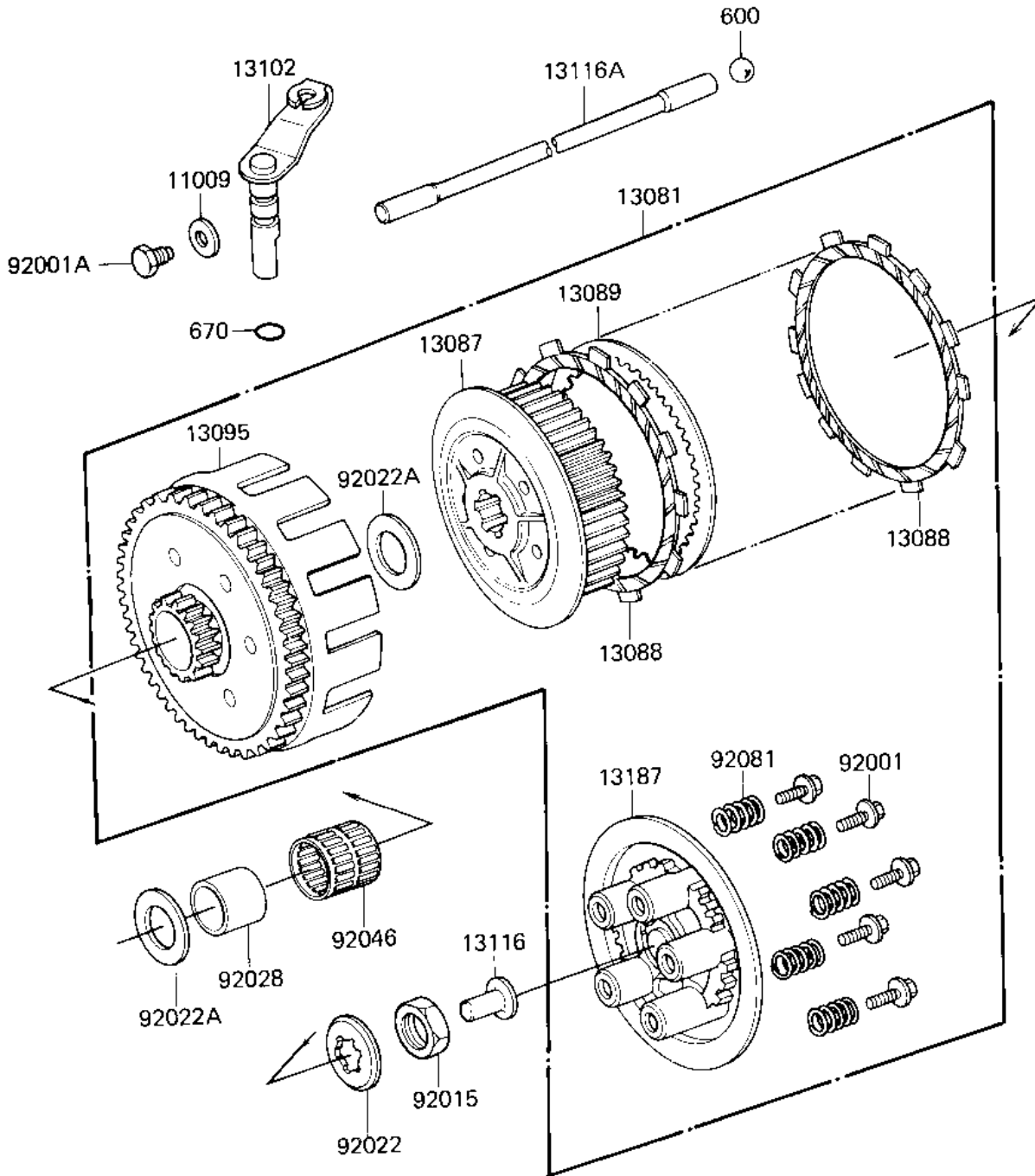


1983 KX250 PARTS DIAGRAM

CLUTCH ('83 KX250-C1)



L1350-0062



1983 KX250 PARTS LIST

CLUTCH ('83 KX250-C1)

ITEM NAME	PART NUMBER	QUANTITY
GASKET,R.H ENG COVER (Ref # 11009)	92065-092	1
CLUTCH-ASSY (Ref # 13081)	13081-1090	1
HUB,CLUTCH (Ref # 13087)	13087-044	1
PLATE-FRICTION (Ref # 13088)	13088-1009	7
PLATE-CLUTCH (Ref # 13089)	13089-1010	6
HOUSING-COMP-CLUTCH (Ref # 13095)	13095-1050	1
RELEASE-COMP-CLUTCH (Ref # 13102)	13102-1023	1
ROD-PUSH,CLUTCH (Ref # 13116)	13116-1010	1
ROD-PUSH,CLUTCH,L=157 (Ref # 13116A)	13116-1044	1
PLATE-CLUTCH OPERATIN (Ref # 13187)	13187-1011	1
BOLT,CLUTCH SPR FITT (Ref # 92001)	92001-1066	5
BOLT,CLUTCH RELEASE (Ref # 92001A)	92003-130	1
NUT 20MM (Ref # 92015)	92016-028	1
WASHER,LOCK (Ref # 92022)	92022-1047	1
WASHER,CLUTCH THRUST (Ref # 92022A)	92022-282	2
BUSHING,CLUTCH (Ref # 92028)	92028-1076	1
BEARING-NEEDLE,WR25/2 (Ref # 92046)	92046-1049	1
SPRING,CLUTCH (Ref # 92081)	92081-1151	5
BALL STEEL 3/8' (Ref # 600)	600A1200	1
"0" RING, 10MM (Ref # 670)	670B2010	1