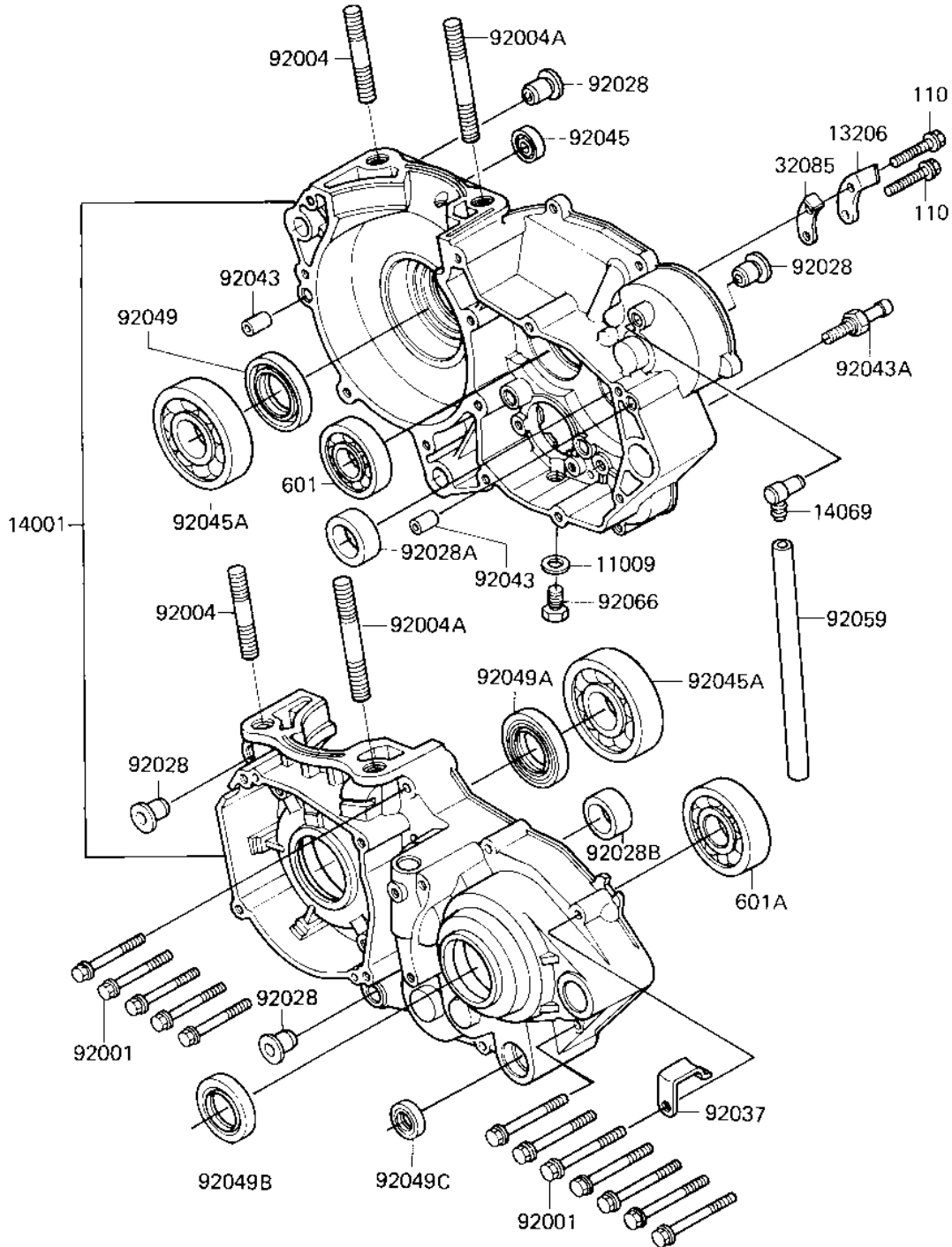


1983 KX250 PARTS DIAGRAM

CRANKCASE ('83 KX250-C1)



L1411-0087



1983 KX250 PARTS LIST

CRANKCASE ('83 KX250-C1)

ITEM NAME	PART NUMBER	QUANTITY
GASKET CHECK VALVE (Ref # 11009)	92065-058	1
GUIDE-KICK (Ref # 13206)	13206-1059	1
SET-CRANKCASE (Ref # 14001)	14001-5152	1
BREATHER (Ref # 14069)	14069-003	1
STOPPER,KICKSTARTER (Ref # 32085)	32085-1016	1
BOLT-FLANGED-SMALL (Ref # 92001)	132G0640	12
STUD,10X35 (Ref # 92004)	92004-1063	2
STUD,10X45 (Ref # 92004A)	92004-1065	2
BUSHING,CRANKCASE (Ref # 92028)	92028-1133	4
BUSHING (Ref # 92028A)	92028-131	1
BUSHING (Ref # 92028B)	92028-132	1
CLAMP,HARNESS (Ref # 92037)	92037-1318	1
PIN-DOWEL (Ref # 92043)	92042-007	2
PIN,CHANGE PEDAL (Ref # 92043A)	92043-1055	1
BEARING-BALL (Ref # 92045)	92045-1211	1
BEARING,BALL,#6305SH2 (Ref # 92045A)	92045-1024	2
OIL SEAL,TCJ25457 (Ref # 92049)	92049-1051	1
OIL SEAL,TCJ20407 (Ref # 92049A)	92049-1052	1
OIL SEAL TB3040 (Ref # 92049B)	92050-033	1
OIL SEAL,TB13225.5 (Ref # 92049C)	92051-005	1
PIPE-BREATHER (Ref # 92059)	92059-061	1
PLUG OIL DRAIN (Ref # 92066)	92067-001	1
BOLT-UPSET (Ref # 110)	112G0618	2
BEARING BALL #6204 (Ref # 601)	601B6204	1
BEARING BALL #6205 (Ref # 601A)	601B6205	1