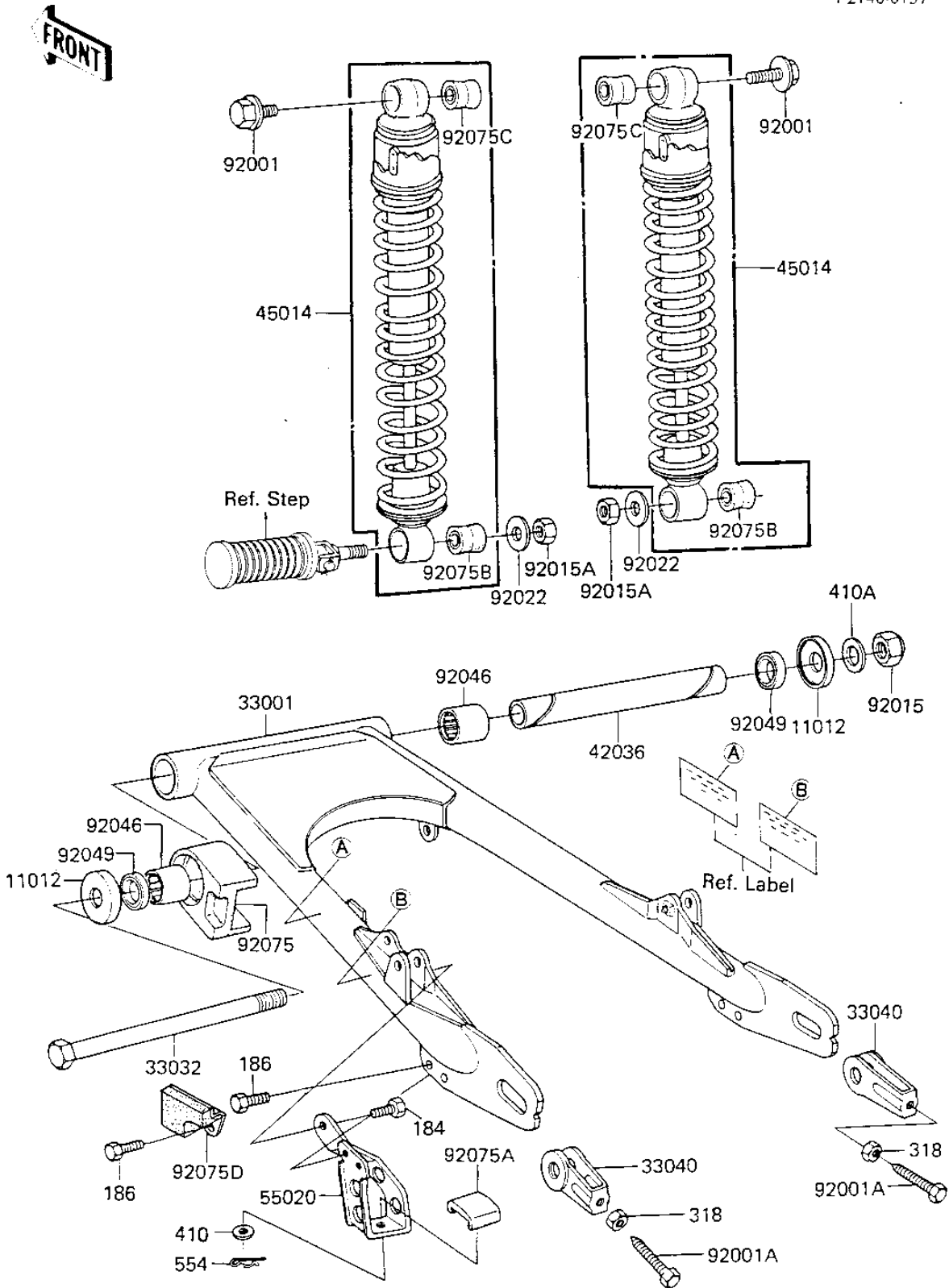


1984 KLR250

PARTS DIAGRAM

SWING ARM/SHOCK ABSORBERS

F2140-0157



1984 KLR250

PARTS LIST

SWING ARM/SHOCK ABSORBERS

ITEM NAME	PART NUMBER	QUANTITY
CAP,SWING ARM (Ref # 11012)	11012-1029	2
ARM-COMP-SWING (Ref # 33001)	33001-1151	1
SHAFT-SWING ARM PIVOT (Ref # 33032)	33032-037	1
ADJUSTER,CHAIN (Ref # 33040)	33040-1010	2
SLEEVE,SWING ARM (Ref # 42036)	42036-1004	1
SHOCK ABSBR RR (Ref # 45014)	45014-1091	2
GUARD,CHAIN (Ref # 55020)	55020-1019	1
BOLT,HEX HEAD,6X10 (Ref # 92001)	92001-1034	2
BOLT,8X50 (Ref # 92001A)	92001-1399	2
NUT-LOCK,14MM (Ref # 92015)	92019-011	1
NUT,10MM (Ref # 92015A)	92015-1429	2
WASHER-PL-10.5X26X2.3 (Ref # 92022)	92022-044	2
BEARING-NEEDLE,HK2216 (Ref # 92046)	92046-1115	2
OIL SEAL,MHA22284 (Ref # 92049)	92049-1059	2
DAMPER, (Ref # 92075)	92075-1144	1
DAMPER (Ref # 92075A)	92075-1145	1
BUSHING,SHOCK ABSORBE (Ref # 92075B)	92075-1216	2
BUSHING,SHOCK ABSORBE (Ref # 92075C)	92075-1217	2
DAMPER,SIDE STAND (Ref # 92075D)	92075-1309	1
BOLT-UPSET-WP-SMALL (Ref # 184)	184B0812	1
BOLT,6X20 (Ref # 186)	186B0620	2
NUT 8MM (Ref # 318)	318B0800	2
WASHER PLAIN 10MM (Ref # 410)	410B1000	1
WASHER PLAIN 14MM (Ref # 410A)	410B1400	1
PIN,SNAP (Ref # 554)	554A0800	1