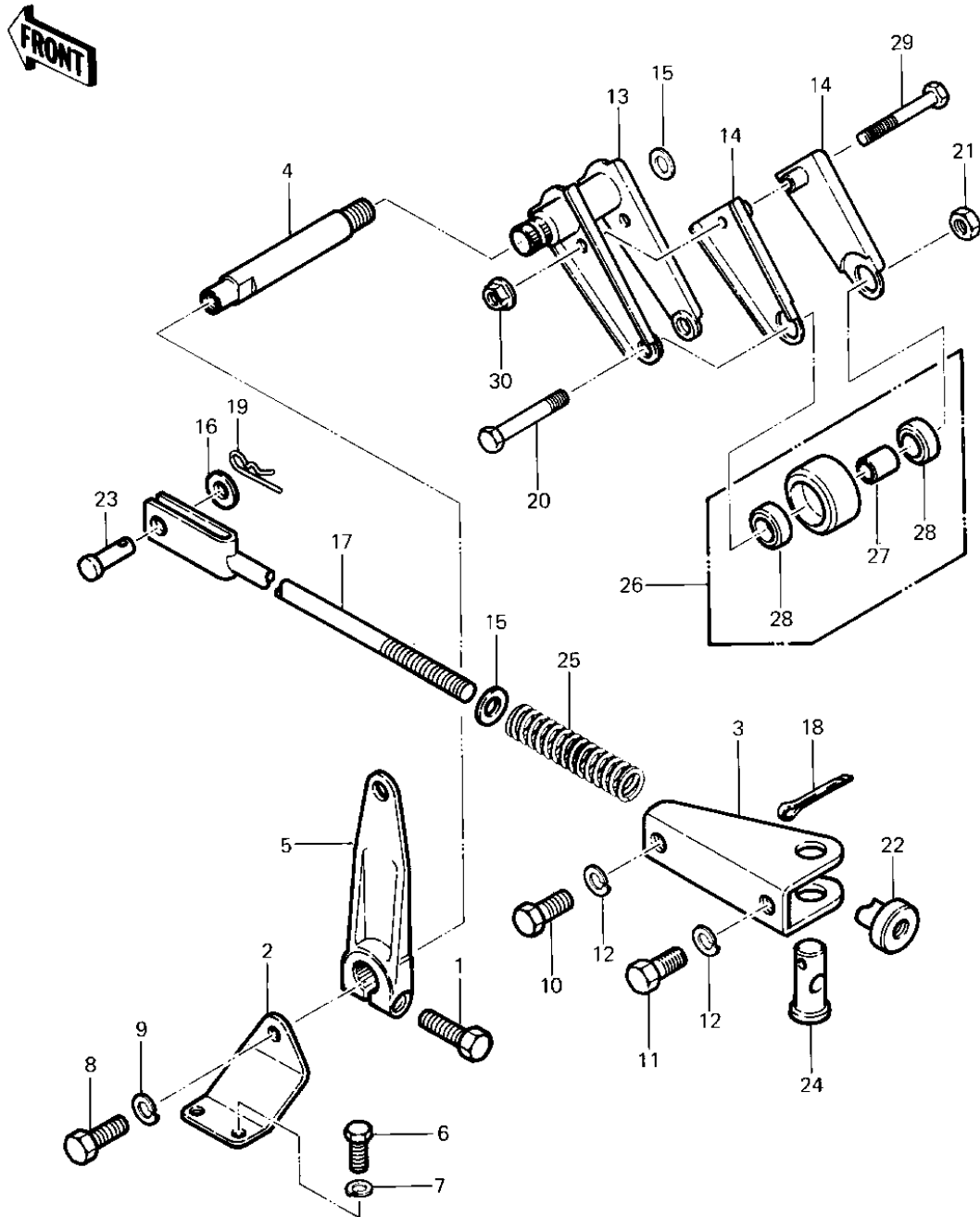


# 1983 KLT200 PARTS DIAGRAM

## CHAIN TENSIONER



# 1983 KLT200 PARTS LIST

## CHAIN TENSIONER

| ITEM NAME                        | PART NUMBER | QUANTITY |
|----------------------------------|-------------|----------|
| BOLT,SMALL UPSET (Ref # 1)       | 115G0835    | 1        |
| BRACKET, PIVOT SHAFT (Ref # 2)   | 11034-4060  | 1        |
| BRACKET,CHAIN ADJUST (Ref # 3)   | 11034-4061  | 1        |
| SHAFT,L=90 (Ref # 4)             | 13107-4008  | 1        |
| LEVER-ARM-TENSIONER S (Ref # 5)  | 13168-5002  | 1        |
| BOLT-UPSET 6X14 (Ref # 6)        | 112B0614    | 2        |
| WASHER SPRING 8MM (Ref # 7)      | 461F0800    | 2        |
| BOLT-SMALL-UPSET,8X16 (Ref # 8)  | 115G0816    | 2        |
| WASHER SPRING 8MM (Ref # 9)      | 461F0800    | 1        |
| BOLT-SMALL-UPSET,8X18 (Ref # 10) | 115G0818    | 1        |
| BOLT-SMALL-UPSET 8X25 (Ref # 11) | 115G0825    | 1        |
| WASHER SPRING 8MM (Ref # 12)     | 461F0800    | 2        |
| LEVER-ARM-TENSIONER S (Ref # 13) | 13168-5002  | 1        |
| GUIDE-CHAIN (Ref # 14)           | 12053-4002  | 2        |
| WASHER PLAIN 10MM (Ref # 15)     | 411B1000    | 2        |
| WASHER PLAIN 12MM (Ref # 16)     | 411B1200    | 1        |
| ROD,CHAIN TENSIONER (Ref # 17)   | 46102-4001  | 1        |
| PIN,COTTER (Ref # 18)            | 550D3230    | 1        |
| PIN,SNAP,12M/M (Ref # 19)        | 554A1200    | 1        |
| BOLT,HEX HEAD,8X45 (Ref # 20)    | 92001-4008  | 1        |
| NUT,LOCK,8MM (Ref # 21)          | 92015-1124  | 1        |
| NUT,BRAKE ROD ADJUSTG (Ref # 22) | 92015-4008  | 1        |
| PIN,12X22 (Ref # 23)             | 92043-4004  | 1        |
| PIN,18X33 (Ref # 24)             | 92043-4005  | 1        |
| SPRING,14X20 (Ref # 25)          | 92081-1287  | 1        |
| ROLLER,CHAIN ADJUST (Ref # 26)   | 92122-4004  | 1        |
| SPACER,CHN GDE ROLLER (Ref # 27) | 92027-4007  | 1        |
| BEARING,BALL (Ref # 28)          | 92045-1009  | 2        |
| BOLT-UPSET (Ref # 29)            | 112G0645    | 1        |