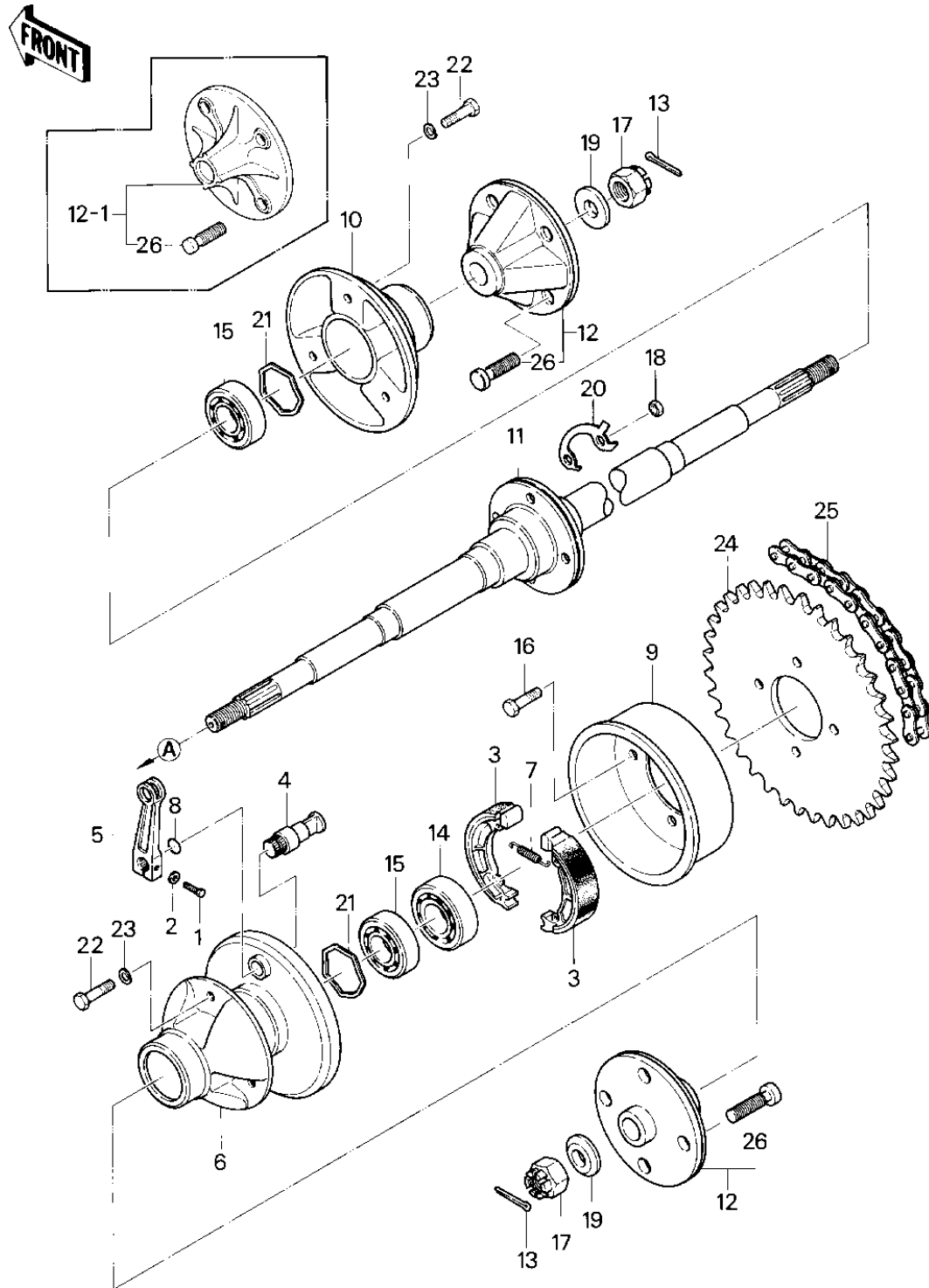


1983 KLT200 PARTS DIAGRAM

REAR AXLE/BRAKE/CHAIN



103

1983 KLT200 PARTS LIST

REAR AXLE/BRAKE/CHAIN

ITEM NAME	PART NUMBER	QUANTITY
BOLT-UPSET (Ref # 1)	112G0622	1
WASHER PLAIN 6MM (Ref # 2)	411B0600	1
SHOE-BRAKE (Ref # 3)	41048-1068	1
CAM SHAFT,BRAKE (Ref # 4)	41050-1002	1
LEVER BRAKE CAM (Ref # 5)	41053-1022	1
PANEL-REAR BRAKE (Ref # 6)	42016-4004	1
SPRING-BRAKE SHOE (Ref # 7)	42020-004	1
"O" RING,15MM (Ref # 8)	670B2015	1
DRUM,REAR (Ref # 9)	41038-4009	1
HOUSING-BEARING (Ref # 10)	41046-4005	1
AXLE,RR (Ref # 11)	41068-4016	1
RR-HUB (Ref # 12)	49030-4004	1
RR-HUB (Ref # 12-1)	49030-4013	1
PIN,COTTER (Ref # 13)	550D3230	1
BEARING (Ref # 14)	601A6008UU	1
BEARING-BALL (Ref # 15)	601A6206UU	1
BOLT,10X30 (Ref # 16)	92001-4017	1
NUT,14MM (Ref # 17)	42045-020	1
NUT,10MM (Ref # 18)	92015-1429	1
WASHER (Ref # 19)	92022-1229	1
WASHER (Ref # 20)	92022-4022	1
SPRING,BEARING (Ref # 21)	92081-4019	1
BOLT (Ref # 22)	92001-160	1
WASHER SPRING 10MM (Ref # 23)	461F1000	1
SPROCKET-HUB,50T (Ref # 24)	42041-4008	1
CHAIN,EK520SH-0,98L (Ref # 25)	92057-4011	1
BOLT,LUG (Ref # 26)	92001-4006	1