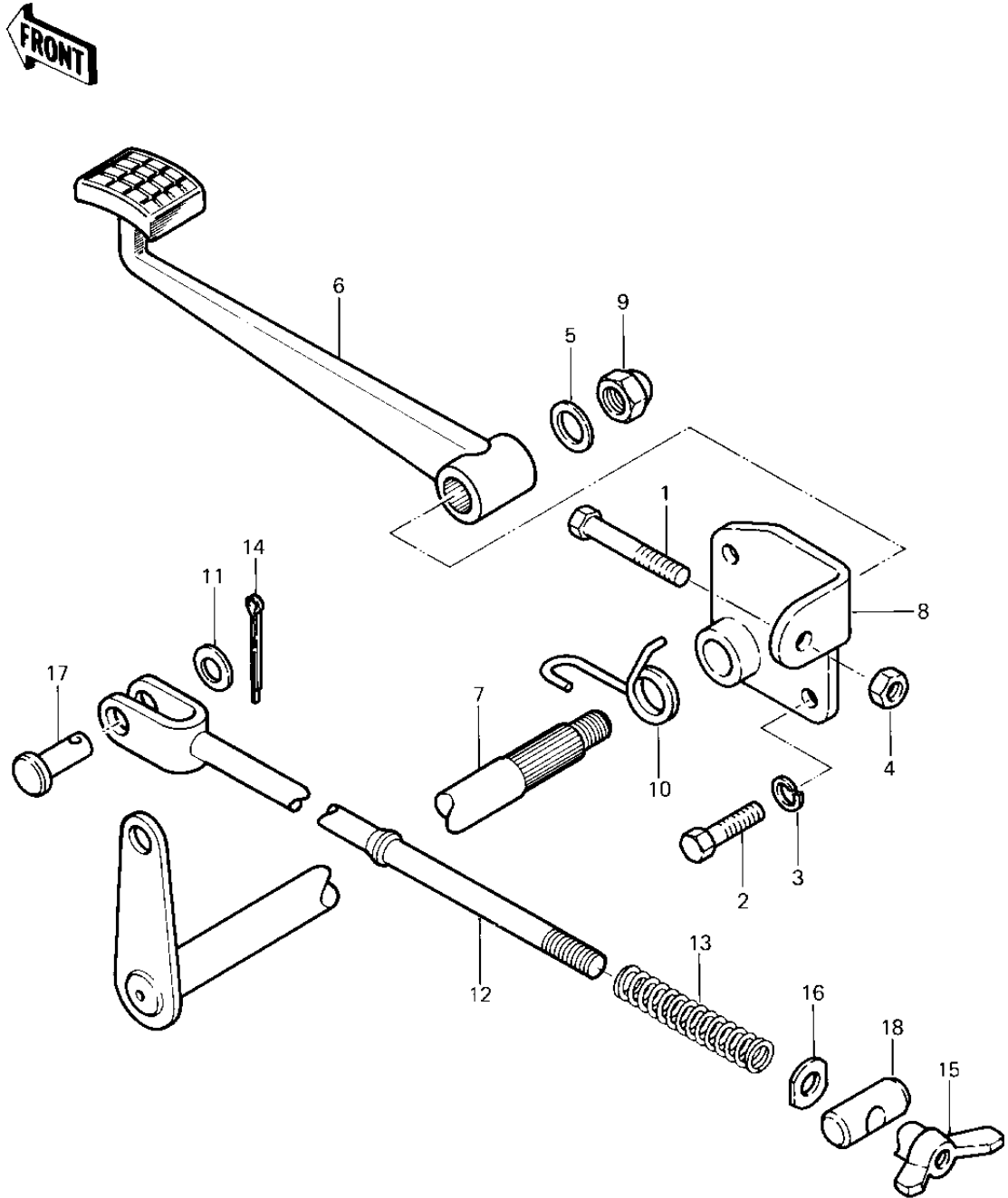


1983 KLT200 PARTS DIAGRAM

BRAKE PEDAL



1983 KLT200 PARTS LIST

BRAKE PEDAL

ITEM NAME	PART NUMBER	QUANTITY
BOLT-UPSET (Ref # 1)	112G0625	1
BOLT-SMALL-UPSET,8X14 (Ref # 2)	115B0814	2
WASHER SPRING 6MM (Ref # 3)	461F0600	2
NUT 6MM (Ref # 4)	311B0600	1
WASHER PLAIN 10MM (Ref # 5)	411B1000	1
LEVER-BRAKE,PEDAL (Ref # 6)	43001-4014	1
SHAFT-BRAKE (Ref # 7)	43004-4001	1
HOLDER-BRAKE (Ref # 8)	43034-4001	1
NUT SHOCK ABSORBER (Ref # 9)	92020-003	1
SPRING,BRAKE PEDAL (Ref # 10)	92081-1337	1
WASHER PLAIN 6MM (Ref # 11)	410B0600	1
ROD-BRAKE (Ref # 12)	43011-4005	1
SPRING,BRAKE ROD (Ref # 13)	43012-001	1
PIN COTTER 2.0X15 (Ref # 14)	550D2015	1
NUT,WING,6M/M (Ref # 15)	92015-4004	1
WASHER, BRAKE ROD (Ref # 16)	92022-4003	1
PIN-BRAKE ROD FITTING (Ref # 17)	92043-064	1
PIN-BRAKE ROD (Ref # 18)	92043-065	1