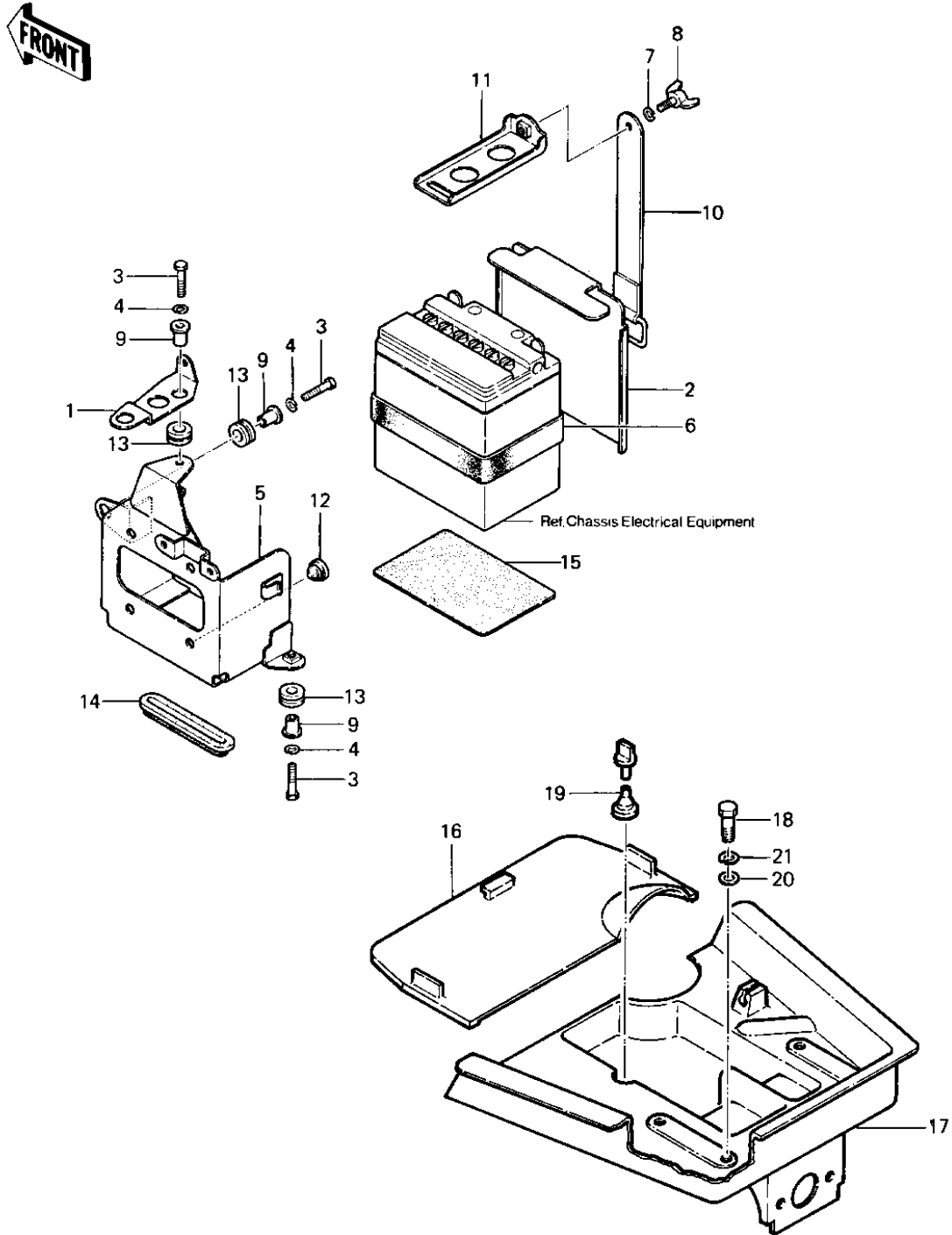


## 1983 KLT200 PARTS DIAGRAM

### BATTERY CASE/TOOL CASE



10

## 1983 KLT200 PARTS LIST

### BATTERY CASE/TOOL CASE

ITEM NAME	PART NUMBER	QUANTITY
BRACKET,BLACK (Ref # 1)	11034-4202	1
COVER (Ref # 2)	14025-4007	1
BOLT-UPSET,6X20 (Ref # 3)	112G0620	1
WASHER SPRING 6MM (Ref # 4)	461F0600	3
MAT-BATTERY SIDE (Ref # 5)	32103-023	2
BOLT,CLNR ELEMENT (Ref # 8)	92003-199	1
COLLAR (Ref # 9)	92027-1045	1
BAND,BATTERY (Ref # 10)	92072-4005	1
BAND,BATTERY (Ref # 11)	92072-4006	1
DAMPER RUBBER (Ref # 12)	92075-078	1
DAMPER RUBBER (Ref # 13)	92075-277	1
DAMPER RUBBER (Ref # 14)	92075-280	1
DAMPER,BATTERY CASE (Ref # 15)	92075-4019	1
COVER-TOOL CASE (Ref # 16)	14025-4022	1
CASE,TOOL (Ref # 17)	32098-4002	1
BOLT-UPSET (Ref # 18)	112G0625	1
BAND,HEAD LAMP (Ref # 19)	92072-077	1
WASHER 6.5X20X1.6T (Ref # 20)	92022-125	1