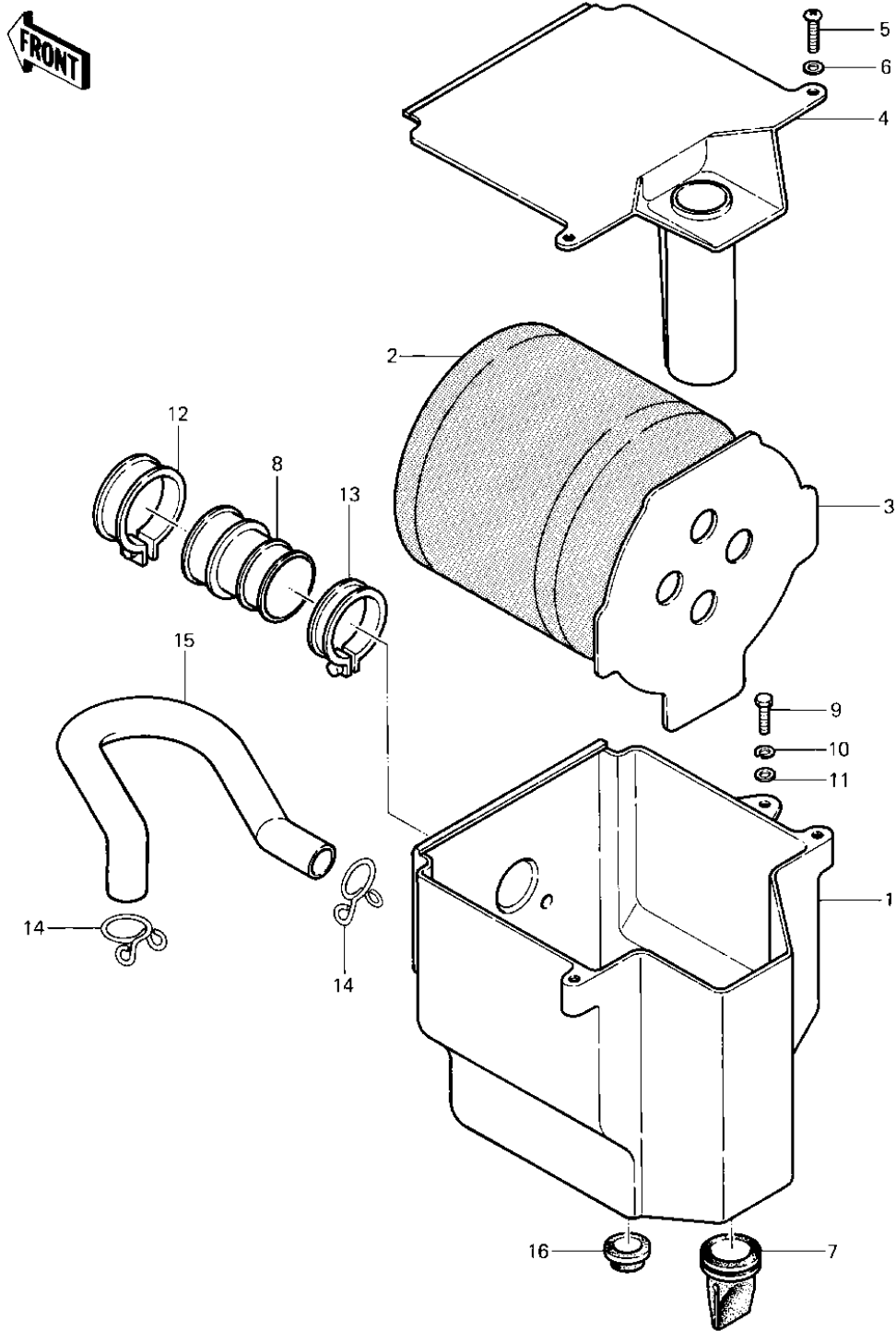


1983 KLT200 PARTS DIAGRAM

AIR CLEANER



1983 KLT200 PARTS LIST

AIR CLEANER

ITEM NAME	PART NUMBER	QUANTITY
CASE-AIR FILTER (Ref # 1)	11011-1086	1
ELEMENT,AIR CLNR (Ref # 2)	11013-1053	1
HOLDER,ELEMENT (Ref # 3)	13091-1125	1
COVER,AIR FILTER (Ref # 4)	14025-1385	1
SCREW PAN HEAD 6X12 (Ref # 5)	220B0612	2
WASHER PLAIN 6MM (Ref # 6)	410B0600	2
BOOT (Ref # 7)	49006-1065	1
DUCT,AIR INLET (Ref # 8)	14073-1067	1
BOLT-UPSET,6X16 (Ref # 9)	112G0616	1
WASHER SPRING 6MM (Ref # 10)	461F0600	1
WASHER PLAIN 6MM (Ref # 11)	411B0600	1
CLAMP-INLET PIPE (Ref # 12)	92037-061	1
CLAMP,MUFFLER (Ref # 13)	92037-177	1
CLAMP,BREATHER TUBE (Ref # 14)	92037-213	2
TUBE,BREATHER (Ref # 15)	92059-1253	1
DAMPER RUBBER,SIG LM (Ref # 16)	92075-158	1