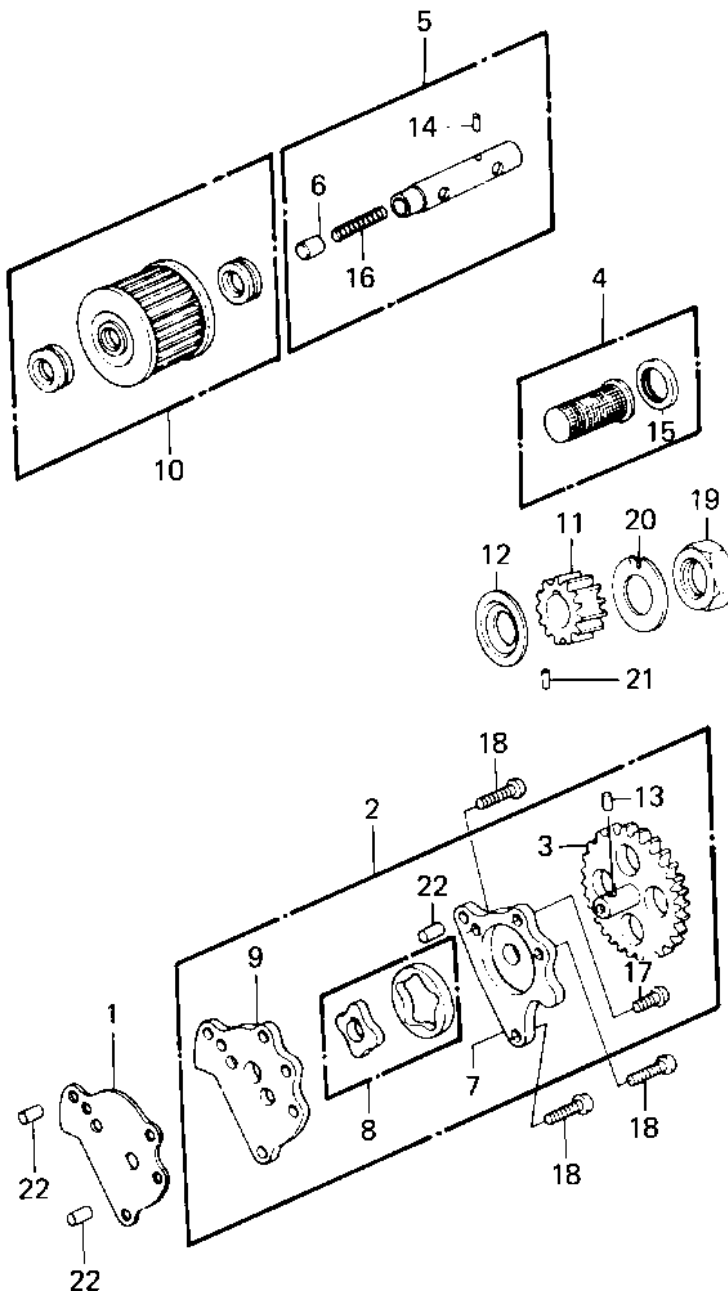


1983 KLT200 PARTS DIAGRAM

OIL PUMP/OIL FILTER

E1710-0046



103

1983 KLT200 PARTS LIST

OIL PUMP/OIL FILTER

| ITEM NAME | PART NUMBER | QUANTITY |
|---------------------------------|-------------|----------|
| GASKET,OIL PUMP (Ref # 1) | 11060-1115 | 1 |
| PUMP ASSY OIL (Ref # 2) | 16082-1015 | 1 |
| GEAR,OIL PUMP (Ref # 3) | 16085-026 | 1 |
| STRAINER ASSY,OIL (Ref # 4) | 16097-1001 | 1 |
| SLOW JET,#35 (Ref # 5) | 16158-002 | 1 |
| VALVE (Ref # 6) | 92136-002 | 1 |
| COVER OIL PUMP (Ref # 7) | 16142-1006 | 1 |
| ROTOR OIL PUMP (Ref # 8) | 16154-1008 | 1 |
| BODY,OIL PUMP (Ref # 9) | 16141-006 | 1 |
| FILTER,OIL (Ref # 10) | 16099-004 | 1 |
| GEAR,OIL PUMP (Ref # 11) | 16084-018 | 1 |
| WASHER,16X29X1 (Ref # 12) | 92022-1377 | 1 |
| PIN,DOWEL (Ref # 13) | 92042-041 | 1 |
| SPRING PIN (Ref # 14) | 92043-123 | 1 |
| GROMMET,OIL STRAINER (Ref # 15) | 92071-100 | 1 |
| SPRING,PISTON (Ref # 16) | 92081-043 | 1 |
| SCREW PAN HEAD 6X16 (Ref # 17) | 220B0616 | 1 |
| SCREW PAN HEAD 6X25 (Ref # 18) | 220B0625 | 3 |
| NUT 16MM (Ref # 19) | 315B1600 | 1 |
| WASHER,LOCK,16M/M (Ref # 20) | 420B1611 | 1 |
| PIN DOWEL 3X12 (Ref # 21) | 551A0312 | 1 |
| PIN,DOWEL,6X8 (Ref # 22) | 551A0608 | 3 |