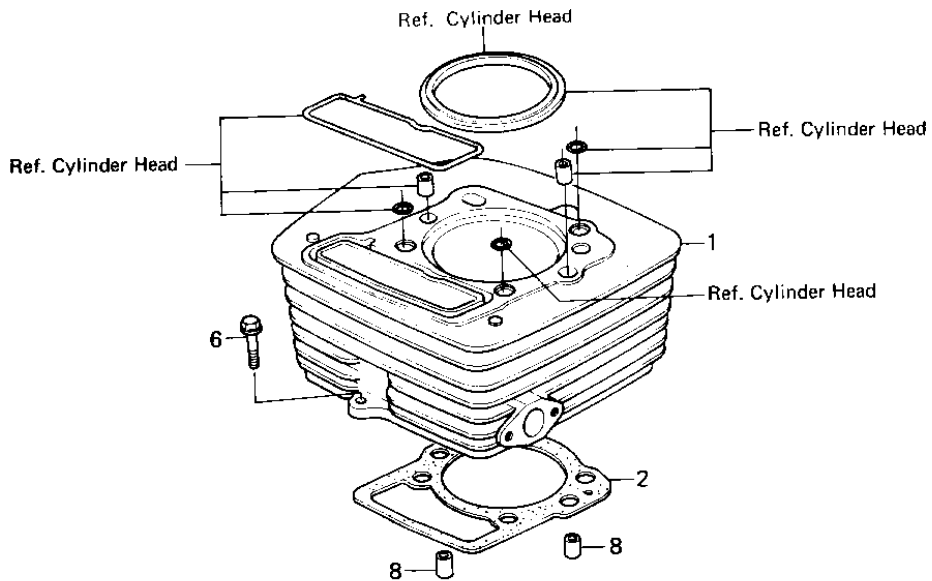
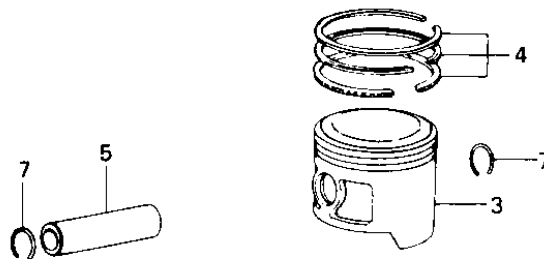


1983 KLT200 PARTS DIAGRAM

CYLINDER/PISTON

E1120-0039



1983 KLT200 PARTS LIST

CYLINDER/PISTON

ITEM NAME	PART NUMBER	QUANTITY
CYLINDER-ENGINE (Ref # 1)	11005-1335	1
GASKET,CYLINDER BASE (Ref # 2)	11009-043	1
PISTON,STD (Ref # 3)	13001-083	1
PISTON,0.020"O/S (Ref # 3)	13029-1001	(1
PISTON,0.040"O/S (Ref # 3)	13027-1001	(1
RING SET,STD (Ref # 4)	13008-5005	1
RING SET,0.020'O.S (Ref # 4)	13025-5004	(1
RING SET,0.040'O.S (Ref # 4)	13024-5005	(1
PIN-PISTON (Ref # 5)	13002-026	1
BOLT (Ref # 6)	92003-202	1
CIRCLIP,PISTON PIN (Ref # 7)	92036-021	2
PIN,DOWEL,10X8.2X14 (Ref # 8)	92043-1037	2