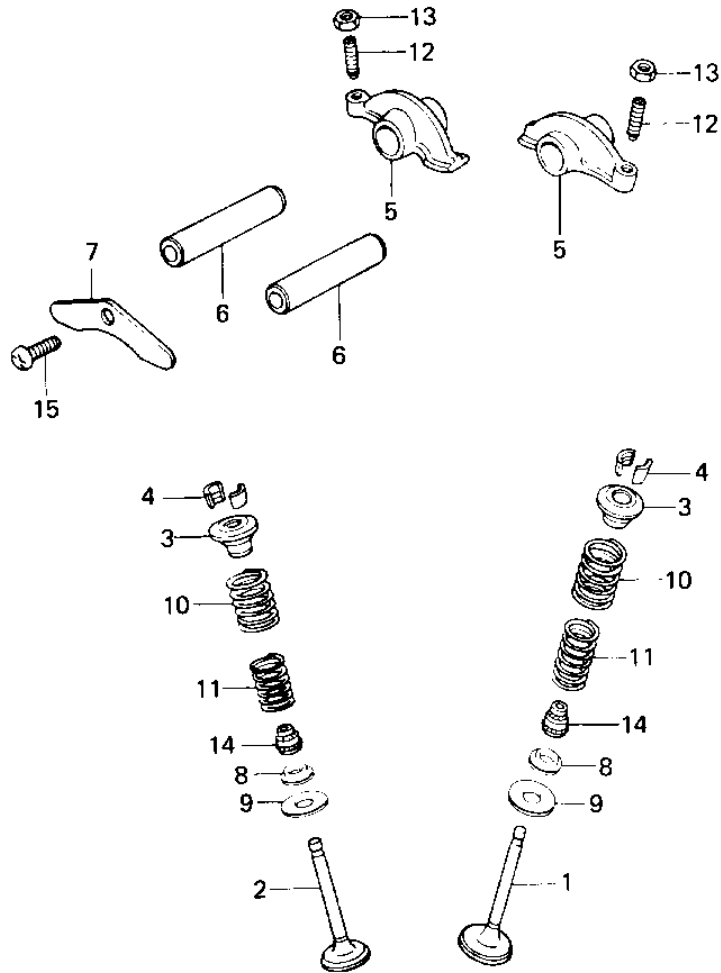


1983 KLT200 PARTS DIAGRAM

ROCKER ARMS/VALVES

E1210-0018



1983 KLT200 PARTS LIST

ROCKER ARMS/VALVES

ITEM NAME	PART NUMBER	QUANTITY
VALVE,INLET (Ref # 1)	12004-1006	1
VALVE,EXHAUST (Ref # 2)	12005-1005	1
RETAINER,VALVE SPRING (Ref # 3)	12009-006	2
SPLIT KEEPER (Ref # 4)	12011-004	4
ARM,ROCKER (Ref # 5)	12016-012	2
SHAFT,ROCKER ARM (Ref # 6)	12020-004	2
PLATE,POSITIONING (Ref # 7)	14014-034	1
SEAT-SPRING,INNER (Ref # 8)	16007-1045	2
SEAT-SPRING,OUTER (Ref # 9)	16007-1046	2
SPRING,OUTER VALVE (Ref # 10)	12007-013	2
SPRING,INNER VALVE (Ref # 11)	12007-014	2
SCREW,SLOTTED,ROCKER (Ref # 12)	92013-009	2
NUT,ROCKER ARM FITTING (Ref # 13)	92016-061	2
OIL SEAL,RV37129.5 (Ref # 14)	92049-016	2
SCREW PAN HEAD 6X10 (Ref # 15)	220B0610	1