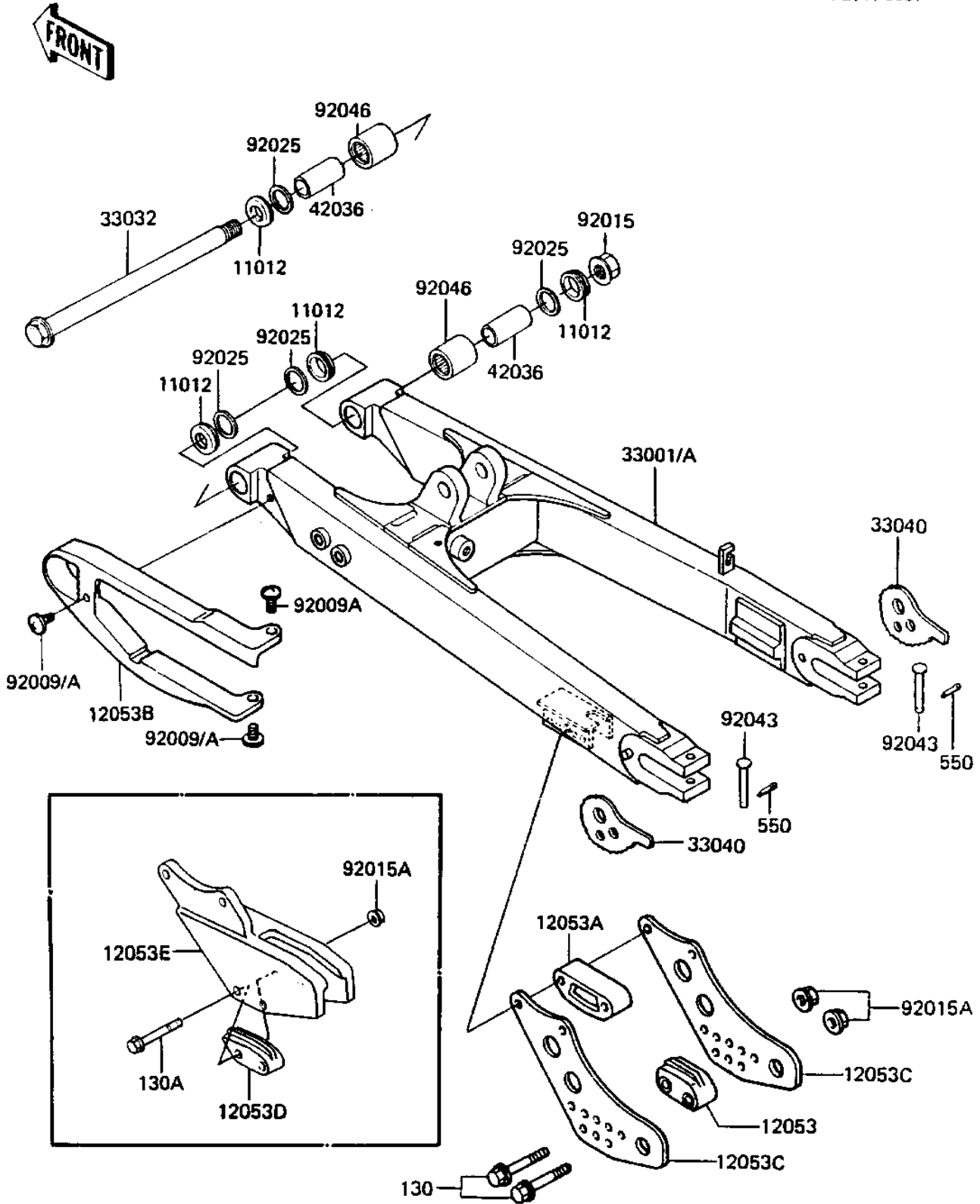


1984 KDX250 PARTS DIAGRAM

SWING ARM

F2141-0007



1984 KDX250 PARTS LIST

SWING ARM

ITEM NAME	PART NUMBER	QUANTITY
CAP,SWING ARM (Ref # 11012)	11012-1207	4
GUIDE-CHAIN,RR,INSIDE (Ref # 12053D)	12053-1105	1
GUIDE-CHAIN,RR (Ref # 12053E)	12053-1124	1
ARM-COMP-SWING (Ref # 33001A)	33001-1208	1
SHAFT-SWING ARM (Ref # 33032)	33032-1042	1
ADJUSTER-CHAIN,LH (Ref # 33040)	33040-1060	2
SLEEVE,SWING ARM (Ref # 42036)	42036-1056	2
SCREW,6X14 (Ref # 92009A)	92009-1287	3
NUT,14MM (Ref # 92015)	92015-1407	1
NUT-6MM (Ref # 92015A)	92015-1078	2
SHIM,SWING ARM (Ref # 92025)	92025-1116	4
PIN (Ref # 92043)	92043-1110	2
BRG,NEEDLE,HMK2030 (Ref # 92046)	92046-1031	2
BOLT,FLANGED,6X40 (Ref # 130A)	130G0640	2
PIN COTTER 2.0X15 (Ref # 550)	550D2015	2