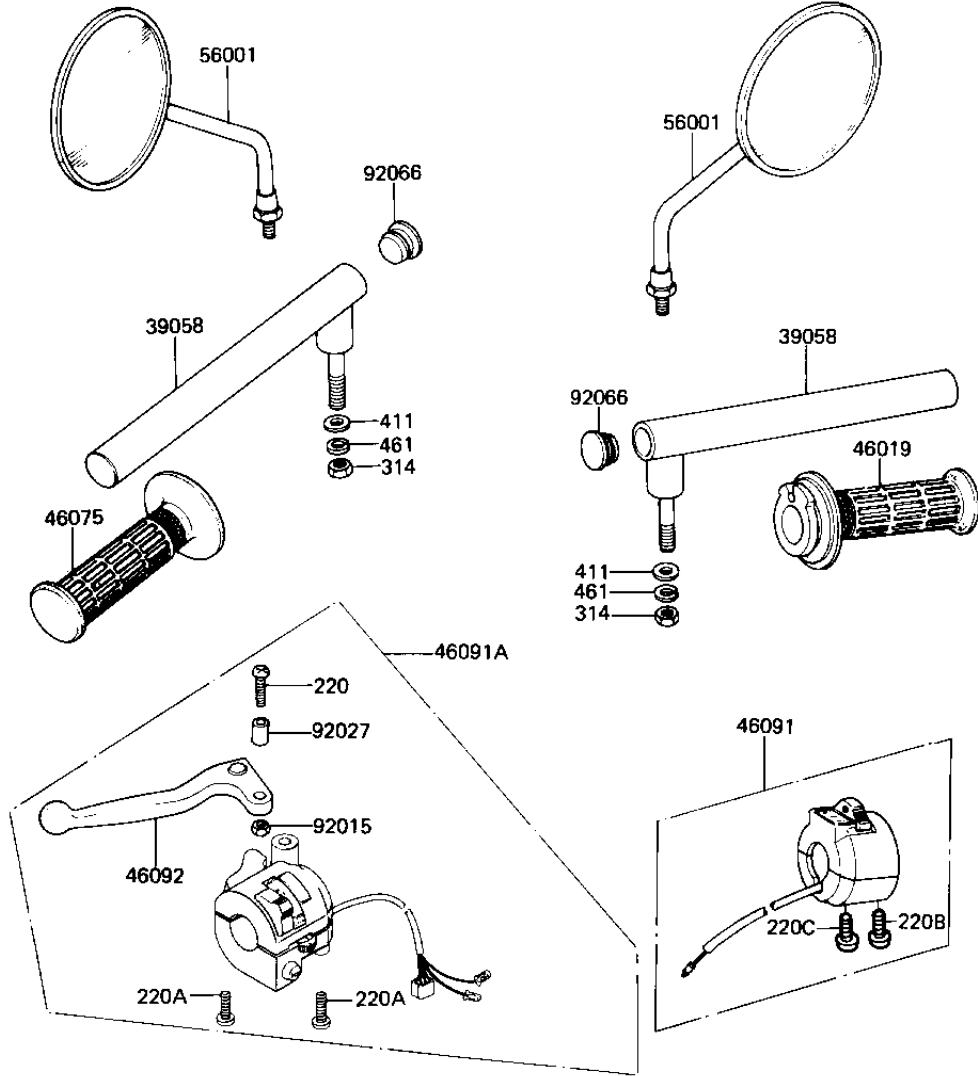


1982 AR80-A1 PARTS DIAGRAM

HANDLEBAR



F2310-0171



1982 AR80-A1 PARTS LIST

HANDLEBAR

ITEM NAME	PART NUMBER	QUANTITY
HANDLE-COMP (Ref # 39058)	39058-1001	2
GRIP-ASSY,THROTTLE (Ref # 46019)	46019-1011	1
GRIP,L.H. (Ref # 46075)	46075-1004	1
HOUSING-ASSY-CONTROL, (Ref # 46091)	46091-1111	1
HOUSING-ASSY-CONTROL, (Ref # 46091A)	46091-1236	1
LEVER-GRIP,CLUTCH (Ref # 46092)	46092-1017	1
MIRROR-ASSY (Ref # 56001)	56001-1339	2
NUT-LOCK,5MM (Ref # 92015)	92019-014	1
COLLAR,LEVER (Ref # 92027)	92027-1042	1
PLUG,18X3 (Ref # 92066)	32112-009	2
SCREW PAN HEAD 5X22 (Ref # 220)	220B0522	1
SCREW PAN HEAD 5X30 (Ref # 220A)	220B0530	2
SCREW-PAN-CROS (Ref # 220B)	220B0535	1
SCREW-PAN-CROS (Ref # 220C)	220B0540	1
NUT,10MM (Ref # 314)	314B1000	2
WASHER PLAIN 10MM (Ref # 411)	411B1000	2
WASHER SPRING 10MM (Ref # 461)	461F1000	2