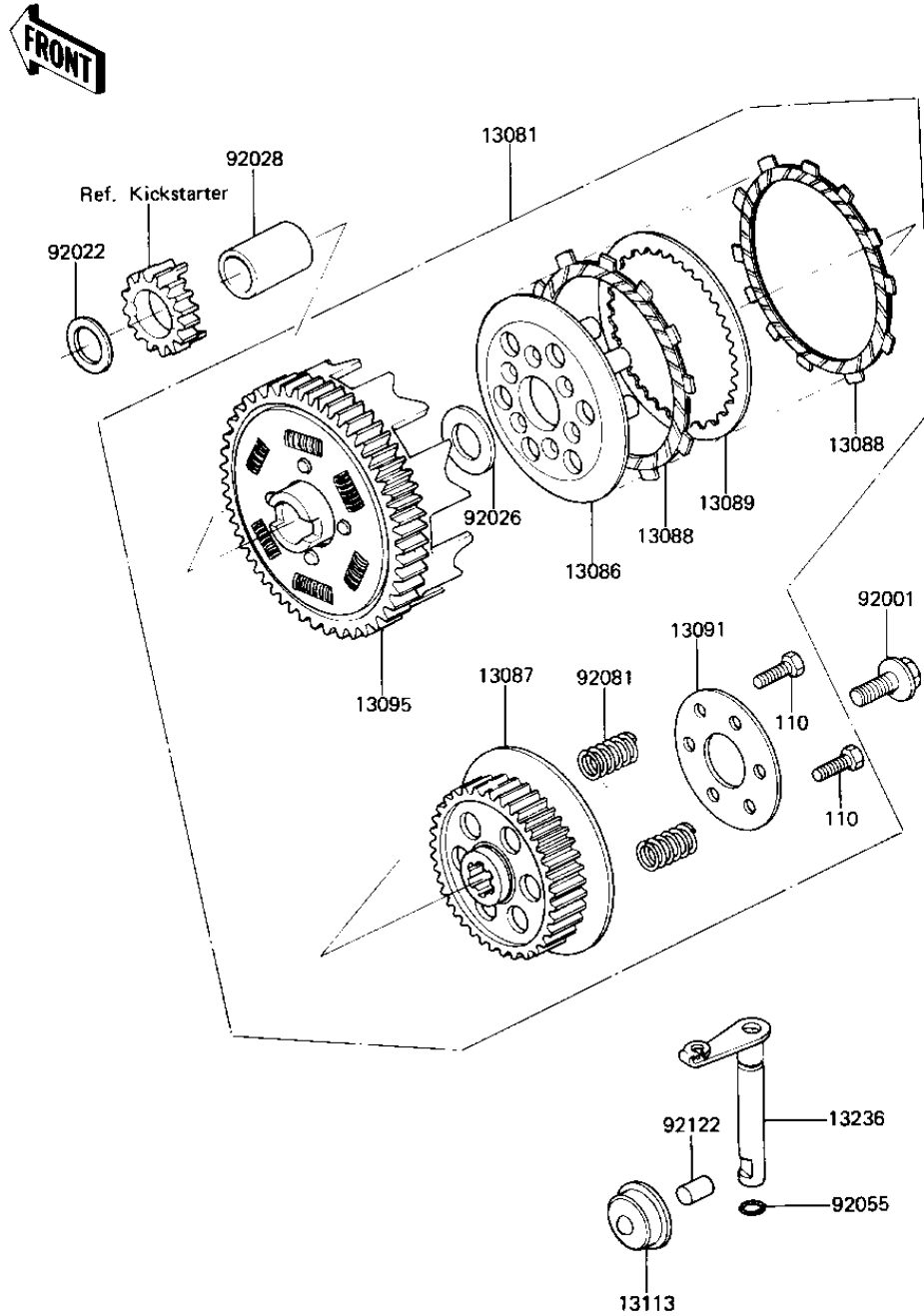


1982 AR80-A1 PARTS DIAGRAM

CLUTCH

E1350-0013



1982 AR80-A1 PARTS LIST

CLUTCH

ITEM NAME	PART NUMBER	QUANTITY
CLUTCH-ASSY (Ref # 13081)	13081-5001	1
WHEEL-CLUTCH (Ref # 13086)	13086-1004	1
HUB-CLUTCH (Ref # 13087)	13087-1113	1
PLATE-FRICTION (Ref # 13088)	13088-1103	4
PLATE-CLUTCH,STEEL (Ref # 13089)	13089-1009	3
HOLDER,CLUTCH SPRING (Ref # 13091)	13091-1115	1
HOUSING-COMP-CLUTCH (Ref # 13095)	13095-5001	1
PUSHER CLUTCH SPRING (Ref # 13113)	13113-003	1
LEVER-COMP,CLUTCH REL (Ref # 13236)	13236-1044	1
BOLT,8X18 (Ref # 92001)	92001-1359	1
WASHER,17.3X28X1.0 (Ref # 92022)	92022-255	1
SPACER,CLUTCH (Ref # 92026)	92026-1096	1
BUSHING,17X22X34.5 (Ref # 92028)	92028-1117	1
"O" RING (Ref # 92055)	92055-1023	1
SPRING,CLUTCH (Ref # 92081)	92081-1485	6
ROLLER,10X12 (Ref # 92122)	92122-1019	1
BOLT-UPSET (Ref # 110)	112G0516	6