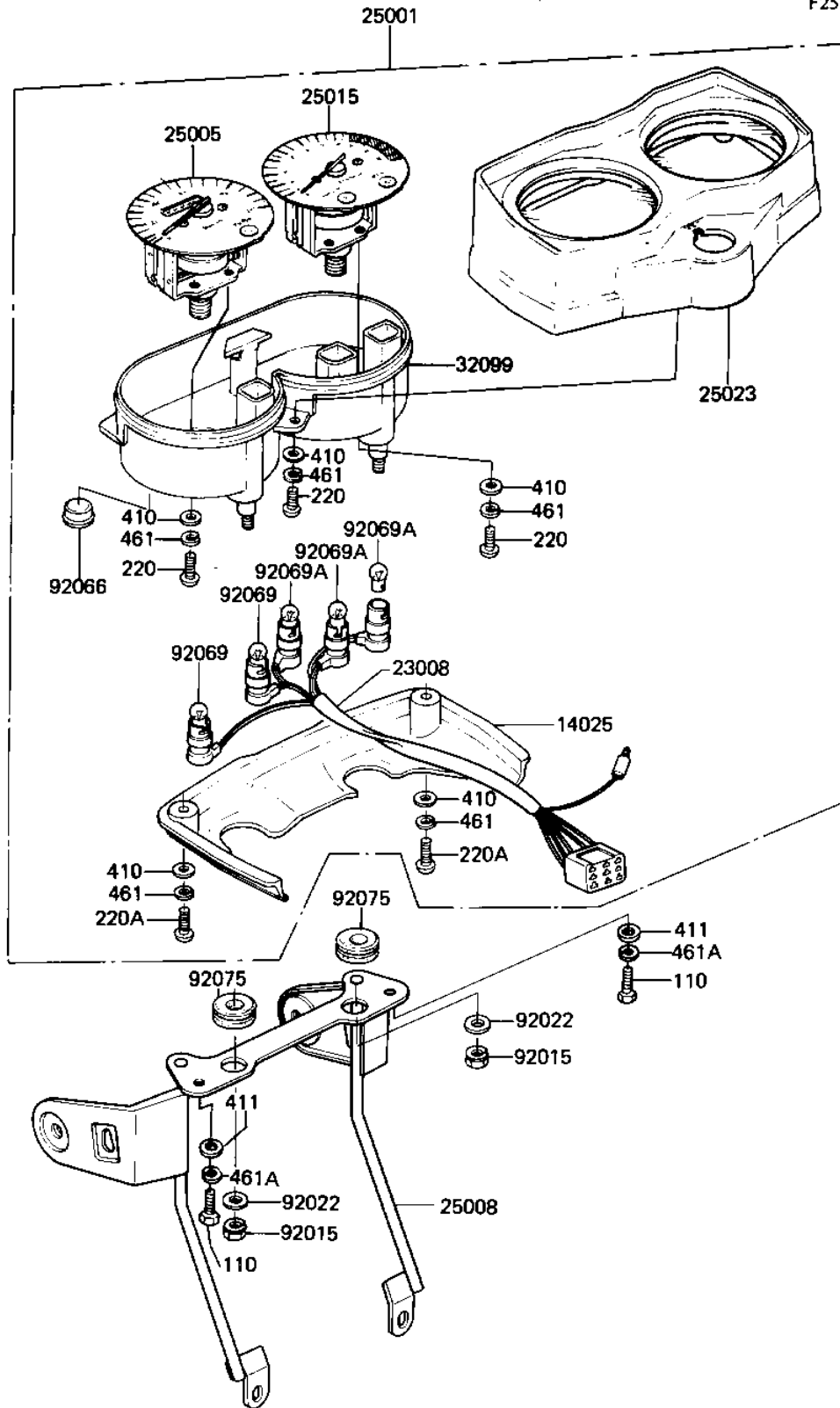


1982 AR50-A1 PARTS DIAGRAM

METERS

F2530-0143



1982 AR50-A1 PARTS LIST

METERS

| ITEM NAME | PART NUMBER | QUANTITY |
|-------------------------------------|-------------|----------|
| COVER,METER,LWR (Ref # 14025) | 14025-1376 | 1 |
| SOCKET-ASSY,METER (Ref # 23008) | 23008-1162 | 1 |
| METER-ASSY,MPH (Ref # 25001) | 25001-1350 | 1 |
| SPEEDOMETER,MPH (Ref # 25005) | 25005-1187 | 1 |
| BRACKET-METER (Ref # 25008) | 25008-1050 | 1 |
| TACHOMETER (Ref # 25015) | 25015-1091 | 1 |
| COVER-METER CASE (Ref # 25023) | 25023-1029 | 1 |
| CASE,METER (Ref # 32099) | 32099-1021 | 1 |
| NUT,LOCK 6MM (Ref # 92015) | 92017-014 | 1 |
| WASHER 6.5X20X1.6T (Ref # 92022) | 92022-125 | 1 |
| BULB 6V 1.5W (Ref # 92069) | 92069-024 | 1 |
| BULB-6V 3W (Ref # 92069A) | 92069-053 | 1 |
| DAMPER (Ref # 92075) | 92075-1337 | 1 |
| BOLT-UPSET,6X16 (Ref # 110) | 112G0616 | 1 |
| SCREW PAN HEAD 4X10 (Ref # 220) | 220B0410 | 1 |
| SCREW-PAN-CRISOSS,4X12 (Ref # 220A) | 220B0412 | 1 |
| WASHER PLAIN 4MM (Ref # 410) | 410B0400 | 1 |
| WASHER PLAIN 6MM (Ref # 411) | 411B0600 | 1 |
| WASHER SPRING 4MM (Ref # 461) | 461F0400 | 1 |
| WASHER SPRING 6MM (Ref # 461A) | 461F0600 | 1 |