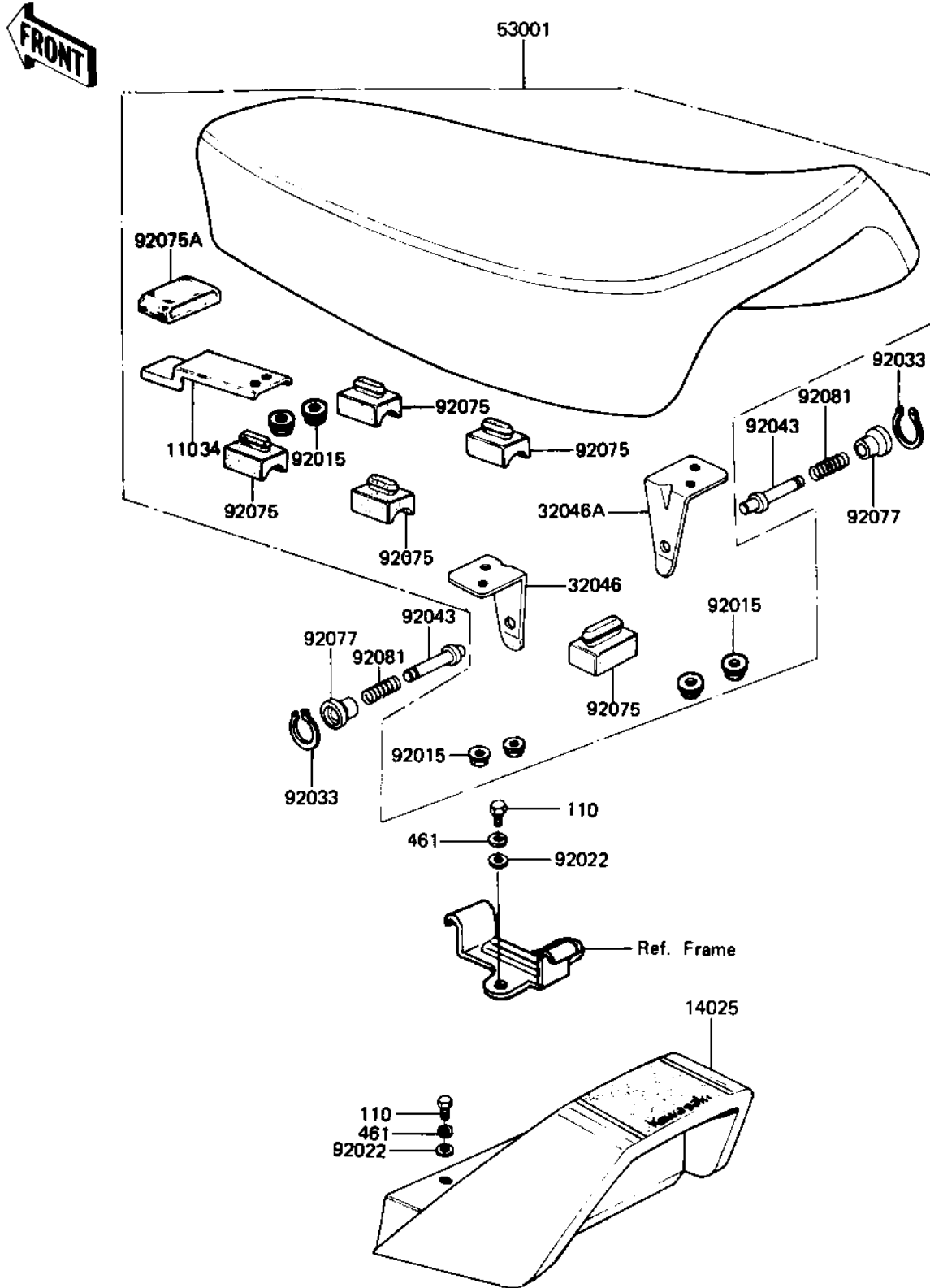


1982 AR50-A1 PARTS DIAGRAM

SEAT/SEAT COVER

F2510-0129



1982 AR50-A1 PARTS LIST

SEAT/SEAT COVER

ITEM NAME	PART NUMBER	QUANTITY
BRACKET,SEAT,FR (Ref # 11034)	11034-1427	1
COVER,SEAT,F.RED (Ref # 14025)	14025-1275-6L	1
BRACKET-SEAT,LH (Ref # 32046)	32046-1111	1
BRACKET-SEAT,RH (Ref # 32046A)	32046-1112	1
SEAT-ASSY,DUAL (Ref # 53001)	53001-1100	1
NUT-6MM (Ref # 92015)	92015-1078	1
WASHER 6.5X20X1.6T (Ref # 92022)	92022-125	1
CIRCLIP,8M/M (Ref # 92033)	92033-1039	1
PIN,SEAT STOPPER (Ref # 92043)	92043-1036	1
DAMPER,SEAT (Ref # 92075)	92075-1153	1
DAMPER RUBBER,SEAT (Ref # 92075A)	92075-219	1
KNOB,SEAT STOPPER (Ref # 92077)	92077-1007	1
SPRING,SEAT STOPPER (Ref # 92081)	92081-1135	1
BOLT-UPSET (Ref # 110)	112G0618	1
WASHER SPRING 6MM (Ref # 461)	461F0600	1