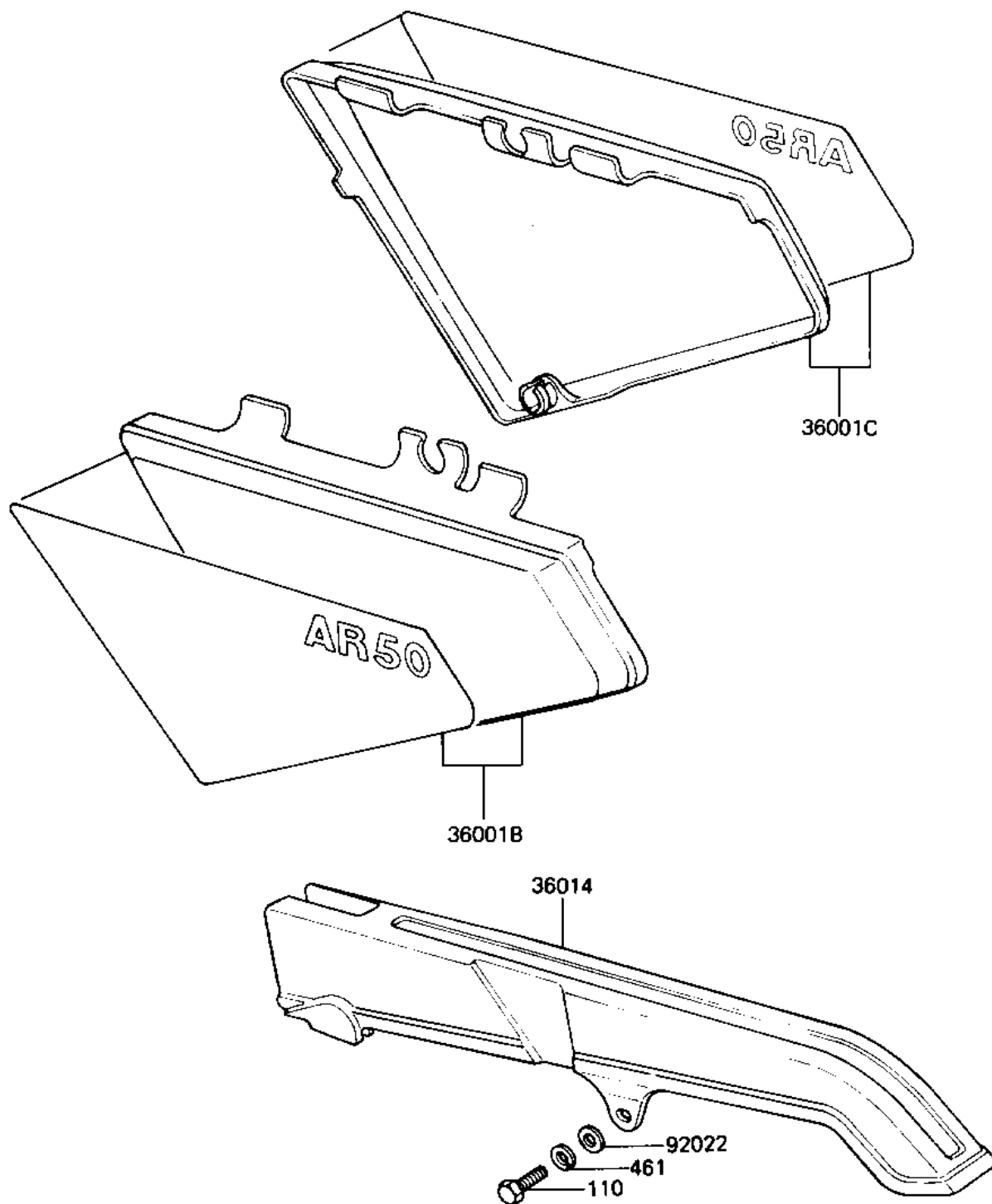


1982 AR50-A1 PARTS DIAGRAM

SIDE COVERS/CHAIN COVER

F2610-0129



1982 AR50-A1 PARTS LIST

SIDE COVERS/CHAIN COVER

ITEM NAME	PART NUMBER	QUANTITY
COVER-SIDE,LH,F.RED (Ref # 36001B)	36001-5047-6L	1
COVER-SIDE,RH,F.RED (Ref # 36001C)	36001-5048-6L	1
CASE-CHAIN (Ref # 36014)	36014-1033	1
WASHER PLAIN (Ref # 92022)	92022-024	1
BOLT-UPSET,6X16 (Ref # 110)	112G0616	1
WASHER SPRING 6MM (Ref # 461)	461F0600	1