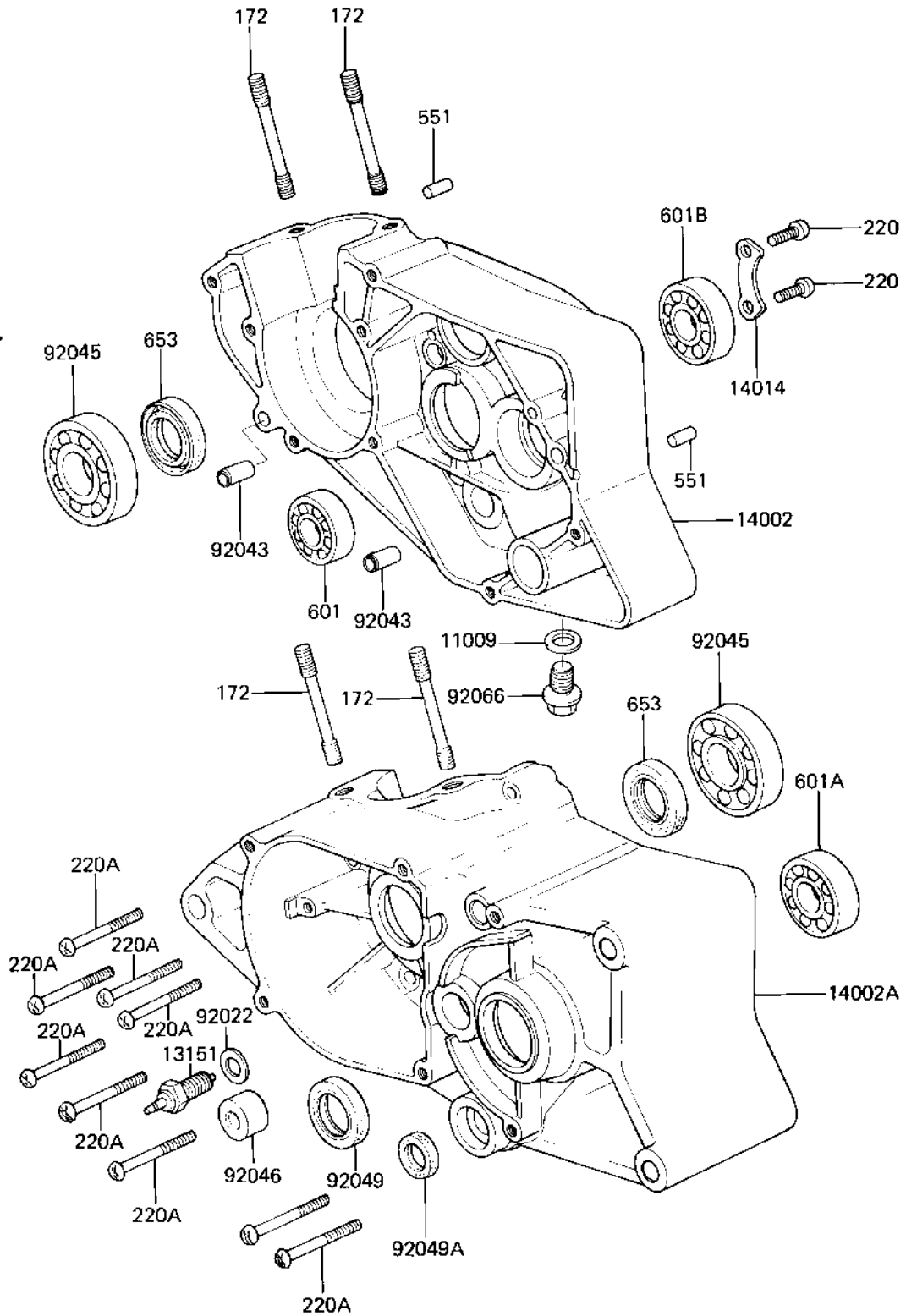


1982 AR50-A1 PARTS DIAGRAM

CRANKCASE

E1411-0015



1982 AR50-A1 PARTS LIST

CRANKCASE

ITEM NAME	PART NUMBER	QUANTITY
GASKET CHECK VALVE (Ref # 11009)	92065-058	2
SWITCH-COMP,NEUTRAL (Ref # 13151)	13151-1008	1
CRANKCASE,RH (Ref # 14002)	14002-1122	1
CRANKCASE,LH (Ref # 14002A)	14002-1188	1
PLATE-POSITION (Ref # 14014)	14014-1014	1
PIN-DOWEL (Ref # 92043)	92042-007	1
BEARING-BALL,R-6304C3 (Ref # 92045)	92045-1059	1
BEARING-NEEDLE,BK1312 (Ref # 92046)	92046-1034	1
OIL SEAL,SC22325 (Ref # 92049)	92049-1048	1
OIL SEAL,TB13225.5 (Ref # 92049A)	92051-005	1
PLUG (Ref # 92066)	92066-1241	1
BOLT-STUD (Ref # 172)	172G0890	1
SCREW PAN HEAD 6X14 (Ref # 220)	220B0614	1
SCREW PAN HEAD 6X40 (Ref # 220A)	220B0640	1
PIN,DOWEL,6X12 (Ref # 551)	551A0612	1
BEARING BALL #6201 (Ref # 601)	601B6201	1
BEARING BALL #6203 (Ref # 601A)	601B6203	1
BALL BEARING,#6203ZC3 (Ref # 601B)	601B6203Z	1
OIL SEAL TB20358 (Ref # 653)	653B203508	1