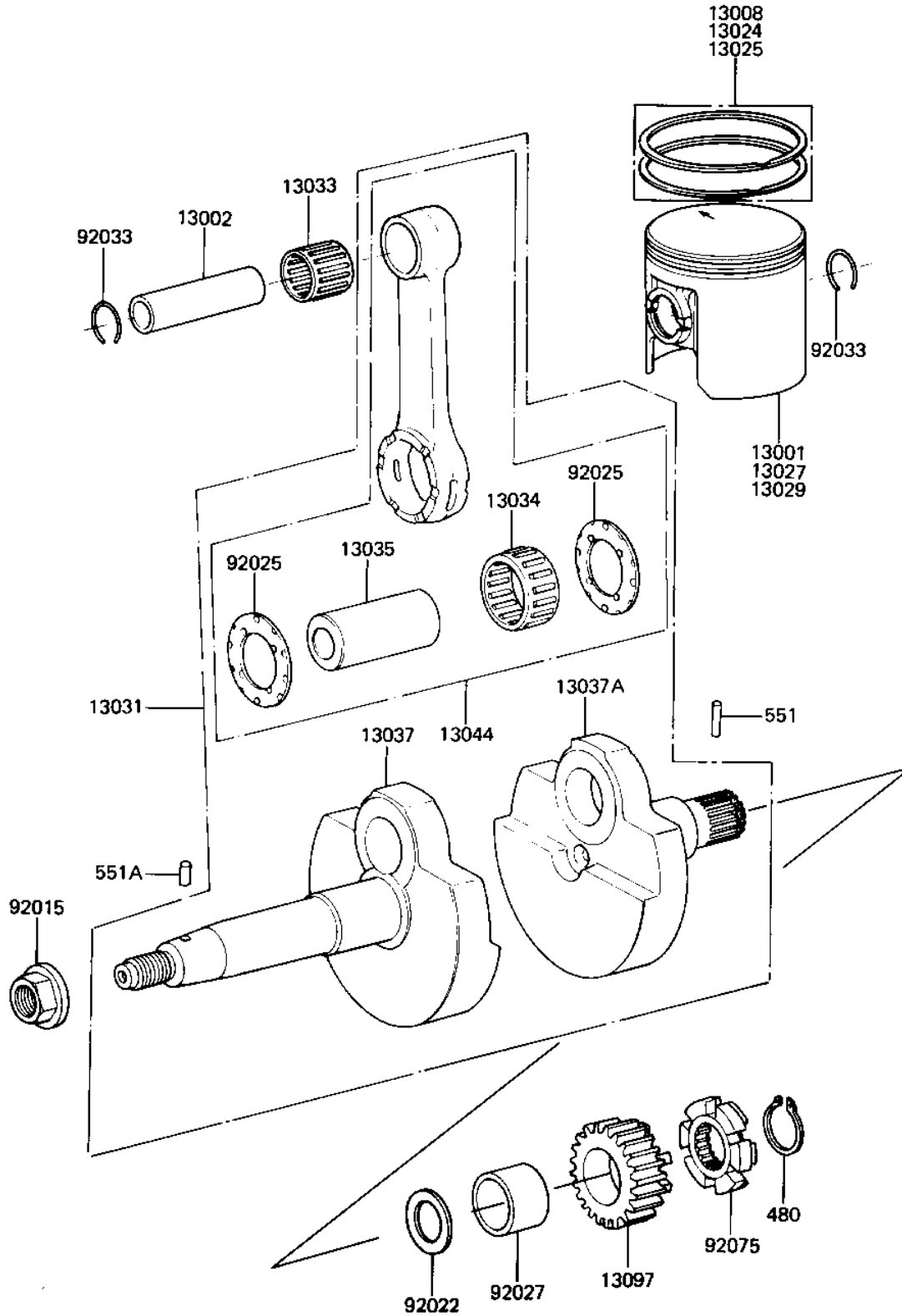


1982 AR50-A1 PARTS DIAGRAM

CRANKSHAFT/PISTON

E1321-0012



1982 AR50-A1 PARTS LIST

CRANKSHAFT/PISTON

ITEM NAME	PART NUMBER	QUANTITY
PISTON-ENGINE,STD (Ref # 13001)	13001-1074	1
PIN-PISTON (Ref # 13002)	13002-1014	1
RING-SET-PISTON,STD (Ref # 13008)	13008-5040	1
RING-SET PISTON LL (Ref # 13024)	13024-1008	1
RING-SET PISTON L (Ref # 13025)	13025-1008	1
PISTON-ENGINE LL (Ref # 13027)	13027-1023	1
PISTON-ENGINE L (Ref # 13029)	13029-1023	1
CRANKSHAFT-COMP (Ref # 13031)	13031-1075	1
BEARING-SMALL END (Ref # 13033)	13033-1009	1
BEARING-BIG END,PK18X (Ref # 13034)	13034-1029	1
PIN-CRANK (Ref # 13035)	13035-1073	1
CRANKSHAFT,LH (Ref # 13037)	13037-1109	1
CRANKSHAFT,RH (Ref # 13037A)	13037-1110	1
SET-CONNECTING ROD (Ref # 13044)	13044-5020	1
GEAR-PRIMARY SPUR,21T (Ref # 13097)	13097-1052	1
NUT,10MM (Ref # 92015)	92015-1415	1
WASHER,PLAIN (Ref # 92022)	92022-268	1
SHIM,CRANK SHAFT (Ref # 92025)	92025-1199	1
COLLAR,15.65X19X13 (Ref # 92027)	92027-1358	1
CIRCLIP PISTON PIN (Ref # 92033)	92036-007	1
DAMPER,GEAR (Ref # 92075)	92075-1325	1
CIRCLIP 14MM (Ref # 480)	480J1400	1
PIN-DOWEL,2X12 (Ref # 551)	551A0212	1
PIN,DOWEL,3X6 (Ref # 551A)	551A0306	1