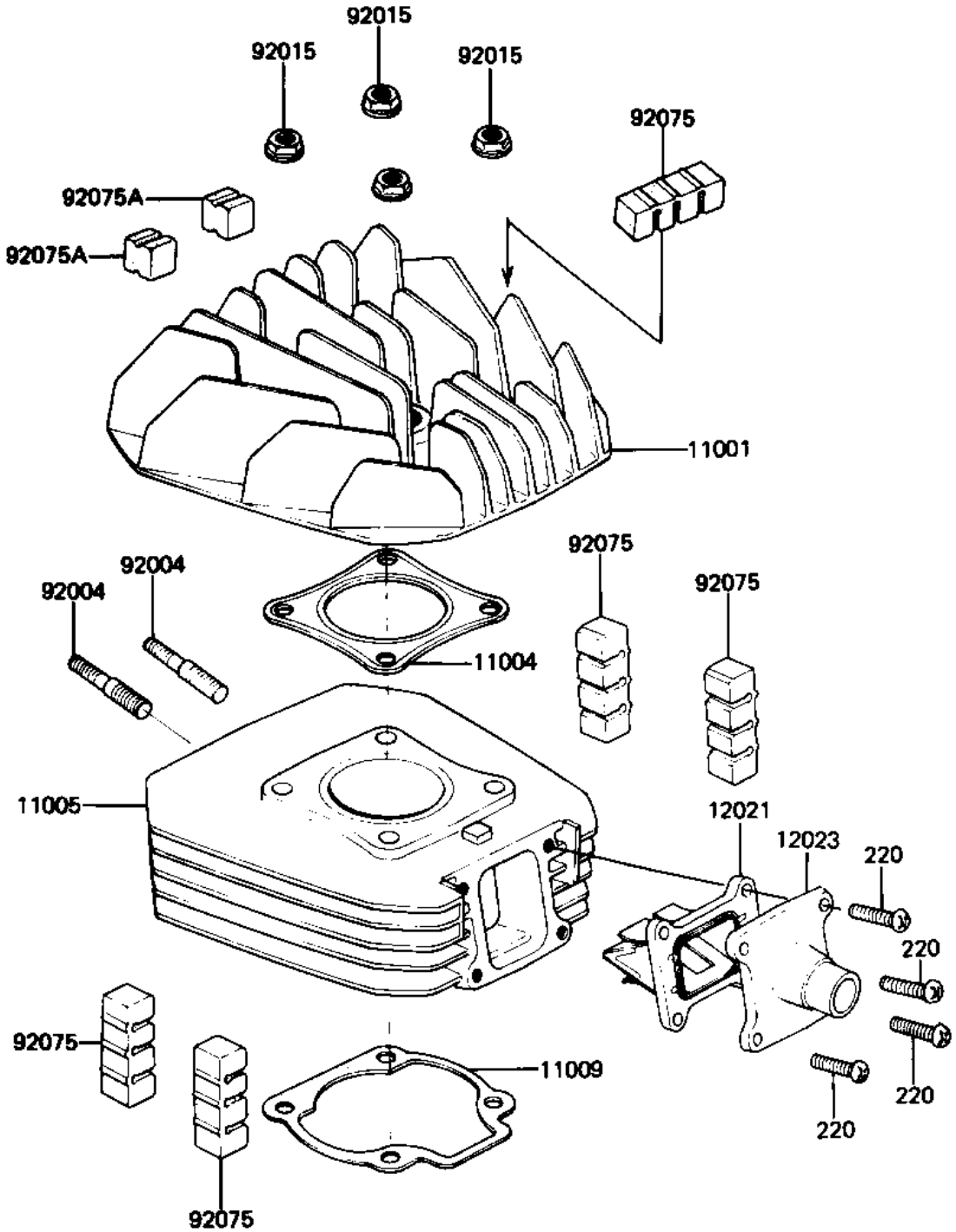


1982 AR50-A1 PARTS DIAGRAM

CYLINDER HEAD/CYLINDER/REED VALVE



E1111-0029



1982 AR50-A1 PARTS LIST

CYLINDER HEAD/CYLINDER/REED VALVE

| ITEM NAME | PART NUMBER | QUANTITY |
|-------------------------------------|-------------|----------|
| HEAD-CYLINDER,F.BLACK (Ref # 11001) | 11001-1069 | 1 |
| GASKET-HEAD,ALUMINIUM (Ref # 11004) | 11004-1032 | 1 |
| CYLINDER-ENGINE,F.BLA (Ref # 11005) | 11005-1096 | 1 |
| GASKET,CYLINDER BASE (Ref # 11009) | 11060-1171 | 1 |
| VALVE-ASSY-REED (Ref # 12021) | 12021-1009 | 1 |
| HOLDER-VALVE,REED (Ref # 12023) | 12023-5004 | 1 |
| STUD (Ref # 92004) | 92004-029 | 1 |
| NUT,8M/M (Ref # 92015) | 92015-1014 | 1 |
| DAMPER,CYLINDER (Ref # 92075) | 92075-1268 | 1 |
| DAMPER (Ref # 92075A) | 92075-1339 | 1 |
| SCREW PAN HEAD 6X20 (Ref # 220) | 220B0620 | 1 |