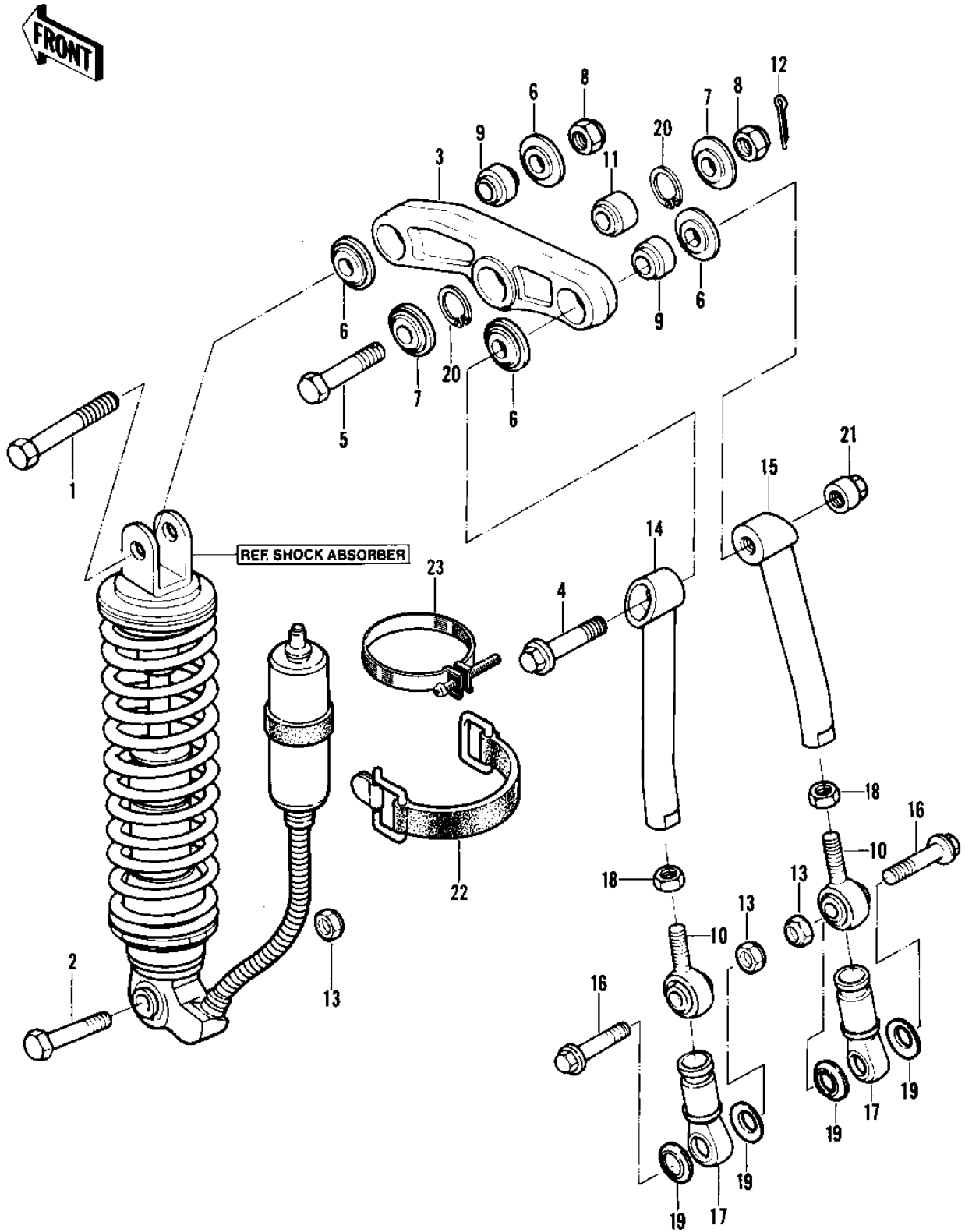


1982 KDX450 PARTS DIAGRAM

REAR SUSPENSION



1982 KDX450 PARTS LIST

REAR SUSPENSION

ITEM NAME	PART NUMBER	QUANTITY
BOLT,HEX HEAD,14X50 (Ref # 1)	92001-1317	1
BOLT,HEX HEAD,12X55 (Ref # 2)	113P1255A	1
ARM-SUSP (Ref # 3)	39007-4001	1
BOLT,14X60 (Ref # 4)	92001-1344	1
BOLT,HEX HEAD,14X60 (Ref # 5)	92001-1335	1
CAP,SUSPENSION ARM (Ref # 6)	11012-1117	4
CAP,SUSPENSION ARM (Ref # 7)	11012-1168	2
NUT-LOCK,14MM (Ref # 8)	92019-011	2
NUT-LOCK,14MM (Ref # 8)	92019-011	2
JOINT,BALL,SUSPENSION (Ref # 9)	59266-1001	2
JOINT,BALL,SUSPENSION (Ref # 10)	59266-1002	2
BUSHING,SUSPENSION AM (Ref # 11)	92028-1087	1
PIN COTTER 2.5X25 (Ref # 12)	550D2525	1
NUT-LOCK,12MM (Ref # 13)	92019-009	3
ROD,UNI-TRAK,LH (Ref # 14)	46102-4002	1
ROD,UNI-TRAK,RH (Ref # 15)	46102-4003	1
BOLT,HEX HEAD,12X48 (Ref # 16)	92001-1297	2
BOOT (Ref # 17)	49006-1062	2
NUT-HEX-FINE,12MM (Ref # 18)	315B1200	2
SEAL-OIL (Ref # 19)	92049-1078	4
RING,SNAP (Ref # 20)	92033-1064	2
NUT,UNITRAK LINK (Ref # 21)	92015-1123	1
BAND,FUEL TANK (Ref # 22)	92072-076	1