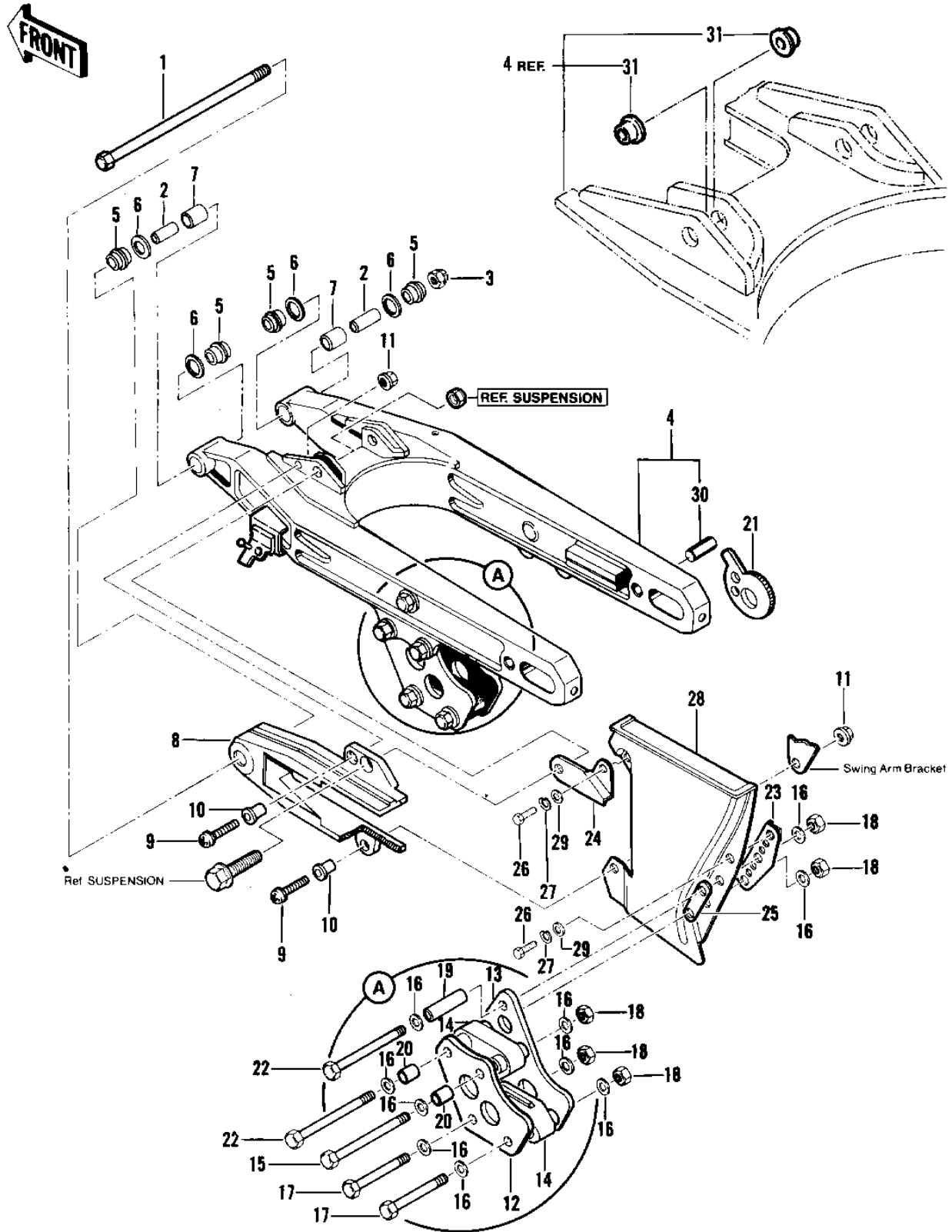


1982 KDX450 PARTS DIAGRAM

SWING ARM/CHAIN COVER



1982 KDX450 PARTS LIST

SWING ARM/CHAIN COVER

ITEM NAME	PART NUMBER	QUANTITY
SHAFT-SWING ARM (Ref # 1)	33032-1020	1
SLEEVE,SWING ARM (Ref # 2)	42036-1031	2
NUT-LOCK,14MM (Ref # 3)	92019-011	1
SWING ARM (Ref # 4)	33001-4004	1
CAP,SWING ARM (Ref # 5)	11012-1099	4
SHIM,SWING ARM (Ref # 6)	92025-1116	4
BUSHING (Ref # 7)	92028-1072	2
GUIDE,CHAIN (Ref # 8)	12053-4001	1
SCREW,6X20 (Ref # 9)	92009-1289	2
COLLAR (Ref # 10)	92027-1260	2
NUT-6MM (Ref # 11)	92015-1078	2
GUARD,CHAIN (Ref # 12)	55020-4009	1
GUARD,CHAIN (Ref # 13)	55020-4010	1
GUIDE,CHAIN (Ref # 14)	12053-1015	2
BOLT-UPSET (Ref # 15)	112G0660	1
WASHER PLAIN 6MM (Ref # 16)	411B0600	10
BOLT-UPSET (Ref # 17)	112G0645	2
NUT (Ref # 18)	92019-008	5
COLLAR (Ref # 19)	92027-4016	1
COLLAR (Ref # 20)	92027-4017	2
ADJUSTER-CHAIN,LH (Ref # 21)	33040-1060	2
BOLT,6X70 (Ref # 22)	110G0670	2
BRACKET,CHAIN CASE,F (Ref # 23)	11034-1841	1
BRACKET,CHAIN CASE (Ref # 24)	11034-4076	1
BRACKET,CHAIN CASE (Ref # 25)	11034-4077	1
BOLT-UPSET 6X14 (Ref # 26)	112B0614	2
WASHER SPRING 6MM (Ref # 27)	461F0600	2
CASE-CHAIN (Ref # 28)	36014-4005	1
WASHER 6.5X20X1.6T (Ref # 29)	92022-125	2

1982 KDX450 PARTS LIST

SWING ARM/CHAIN COVER

ITEM NAME	PART NUMBER	QUANTITY
PIN,DOWEL,8X25 (Ref # 30)	551A0825	2
COLLAR-SWING ARM (Ref # 31)	92027-1229	4