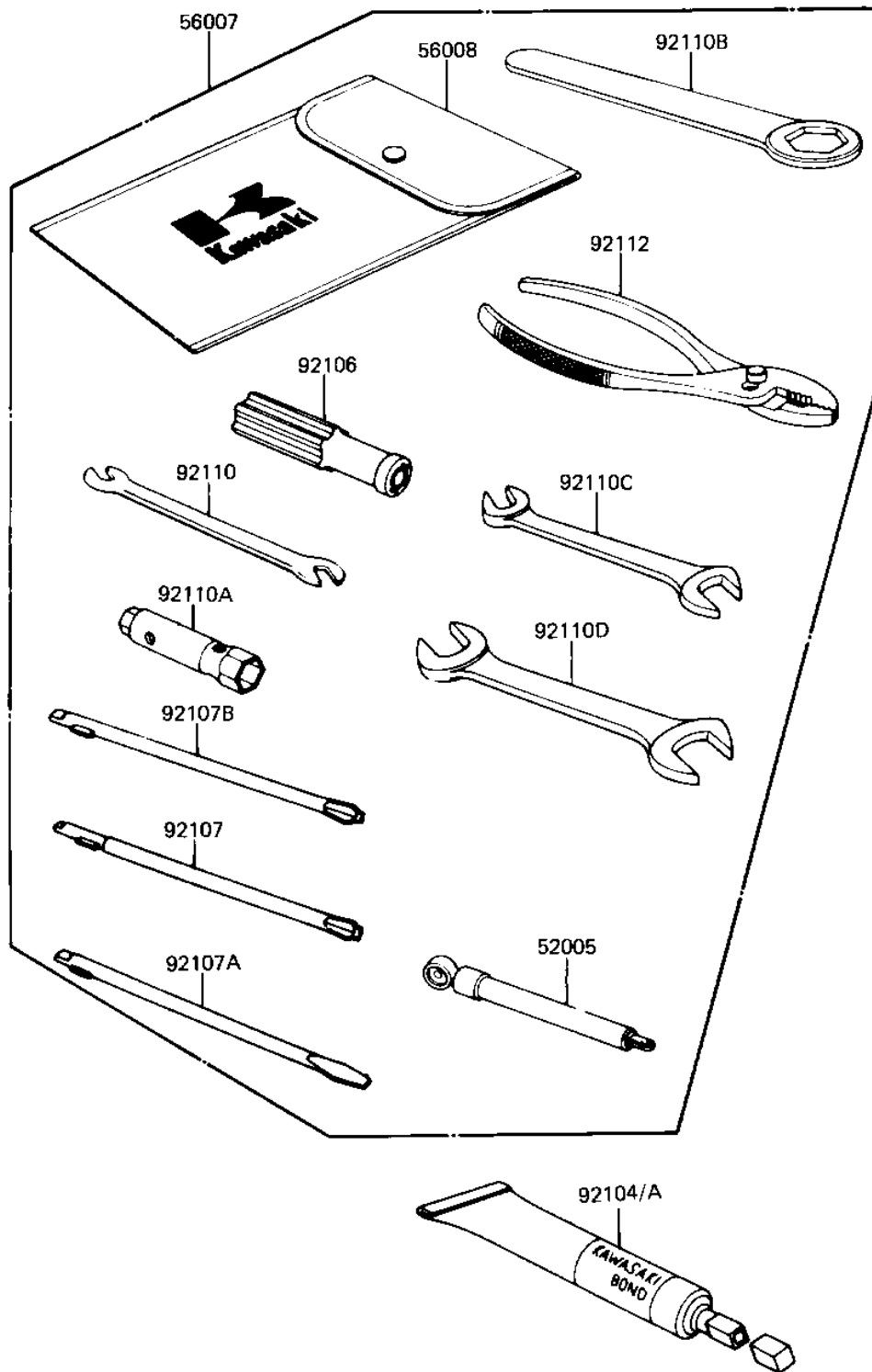


1983 KE125 PARTS DIAGRAM

OWNER TOOLS (KE125-A9)

F2810-0096



1983 KE125 PARTS LIST

OWNER TOOLS (KE125-A9)

ITEM NAME	PART NUMBER	QUANTITY
GAUGE,AIR,3.5KG/CM2 (Ref # 52005)	52005-1031	1
TOOL KIT (Ref # 56007)	56007-1072	1
BAG,TOOL (Ref # 56008)	56008-008	1
LIQUID GASKET (Ref # 92104)	92104-002	1
GASKET-LIQUID,BLACK (Ref # 92104A)	92104-1003	1
GRIP,SCREW DRIVER (Ref # 92106)	92106-1001	1
TOOL-DRIVER (Ref # 92107)	92107-1052	1
92107-1052 (Canada) (Ref # 92107A)	92107-007	1
92107-1002 (Canada) (Ref # 92107B)	92107-008	1
TIGHTENER,SPOKE (Ref # 92110)	92108-011	1
WRENCH,BOX,17X21 (Ref # 92110A)	92110-012	1
TOOL-WRENCH,BOX END,2 (Ref # 92110B)	92110-1148	1
TOOL-WRENCH,OPEN END (Ref # 92110C)	92110-1038	1
TOOL-WRENCH,OPEN END, (Ref # 92110D)	92110-1153	1
PLIERS,160MM (Ref # 92112)	92112-003	1