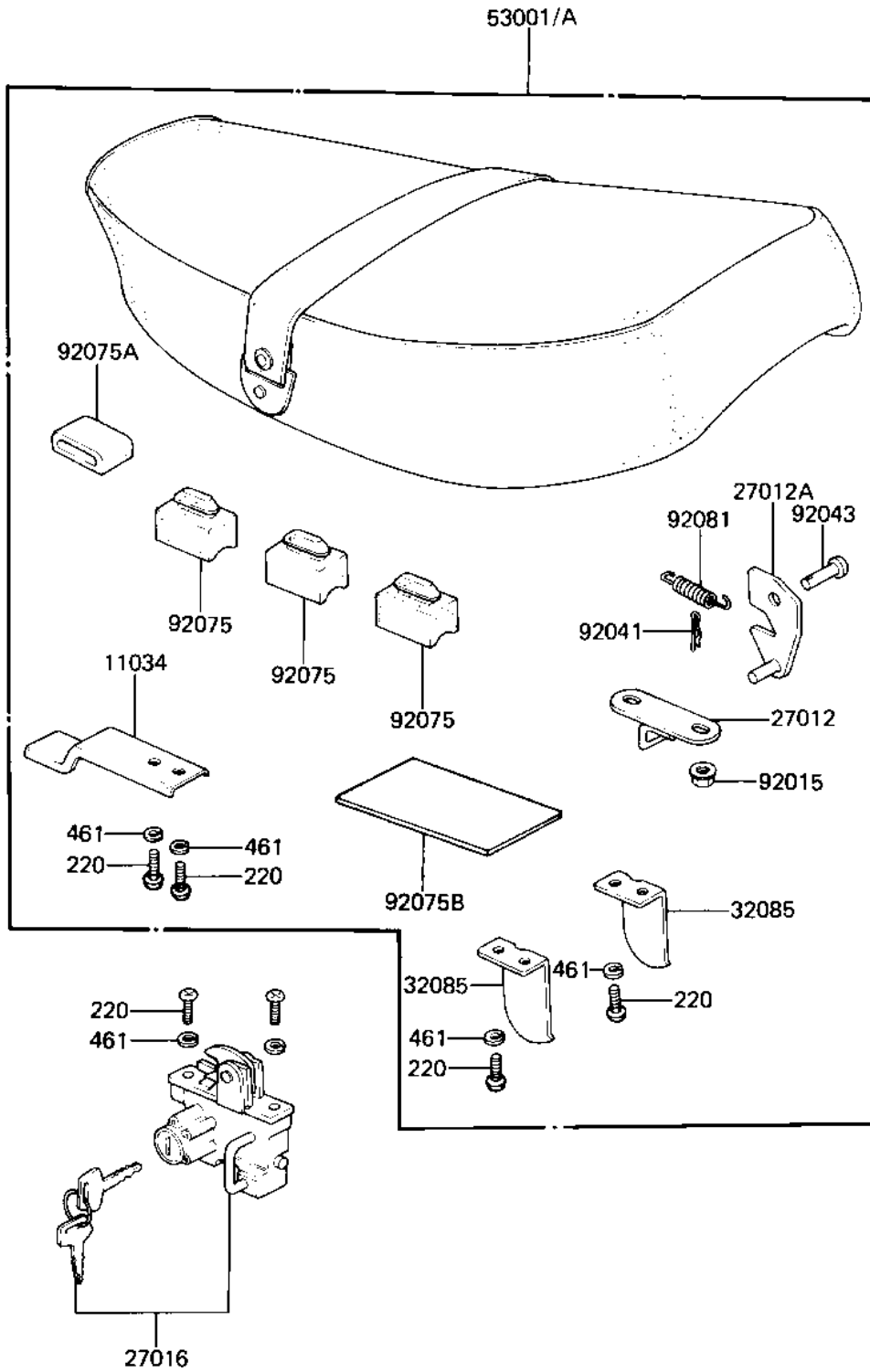


## 1983 KE125 PARTS DIAGRAM

SEAT ('82-'83 A9/A10)

121V217



## 1983 KE125 PARTS LIST

SEAT ('82-'83 A9/A10)

ITEM NAME	PART NUMBER	QUANTITY
BRACKET,DUAL SEAT (Ref # 11034)	53032-005	1
HOOK,SEAT,LH (Ref # 27012)	27012-1021	1
HOOK,SEAT,R.H (Ref # 27012A)	53008-029	1
LOCK-ASSY,SEAT (Ref # 27016)	27016-5044	1
STOPPER,SEAT (Ref # 32085)	53059-001	1
53001-1374 (Canada) (Ref # 53001A)	53001-1247	1
NUT-6MM (Ref # 92015)	92015-1078	1
COTTER PIN (Ref # 92041)	92041-003	1
PIN DUAL SEAT PIVOT (Ref # 92043)	53011-001	1
DAMPER RUBBER,SEAT (Ref # 92075)	92075-216	1
DAMPER RUBBER,SEAT (Ref # 92075A)	92075-219	1
DAMPER RUBBER,BATTERY (Ref # 92075B)	92075-224	1
SPRING,HOOK (Ref # 92081)	53012-013	1
SCREW PAN HEAD 6X14 (Ref # 220)	220B0614	1
WASHER SPRING 6MM (Ref # 461)	461F0600	1