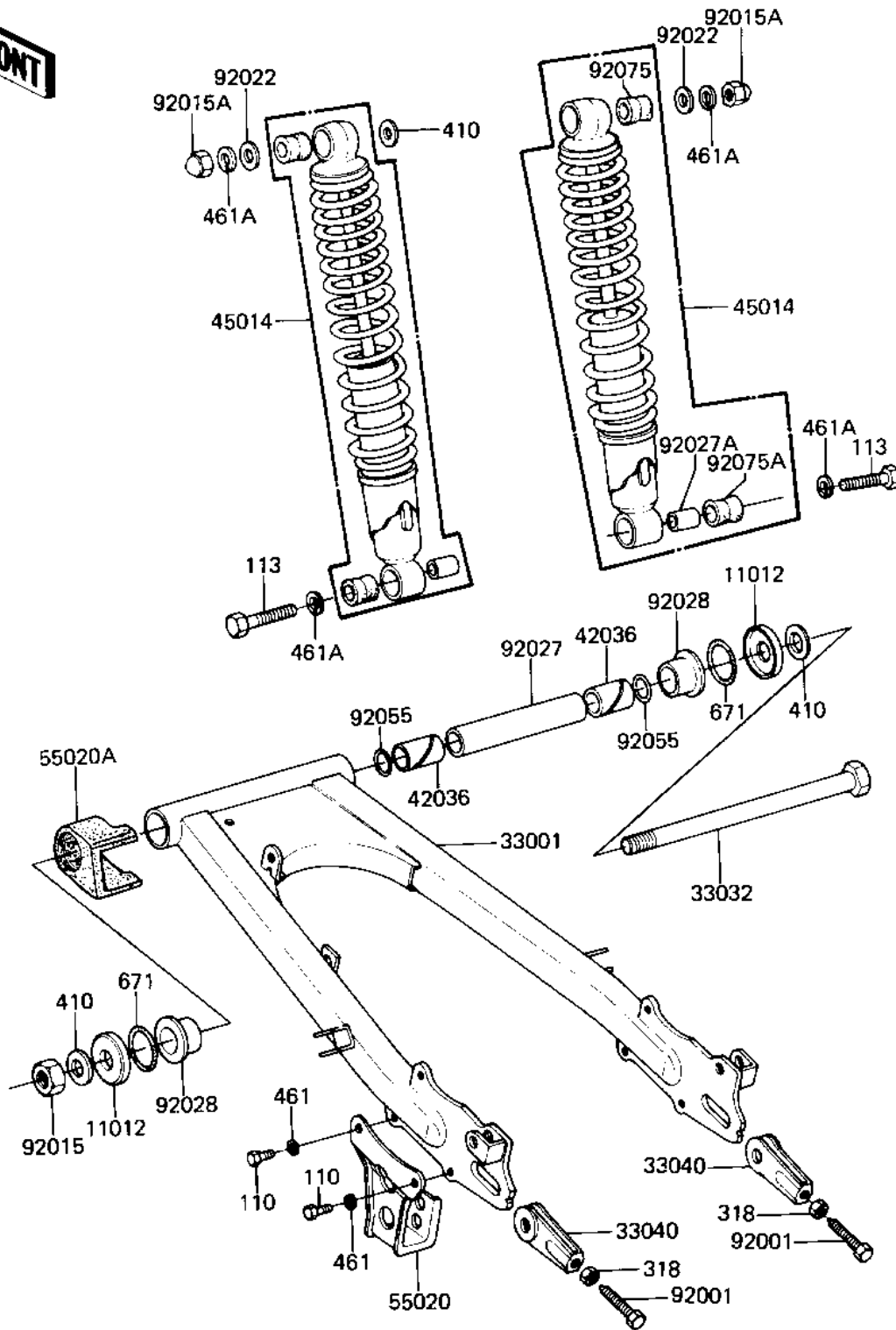


## 1983 KE125 PARTS DIAGRAM

SWING ARM/SHOCK ABSORBERS ('82-'83 A9/A1)

1.2140-0054



## 1983 KE125 PARTS LIST

SWING ARM/SHOCK ABSORBERS ('82-'83 A9/A1)

ITEM NAME	PART NUMBER	QUANTITY
CAP-SWINGING ARM (Ref # 11012)	33035-005	1
SWING ARM (Ref # 33001)	33001-1060	1
SHAFT-SWING ARM PIVOT (Ref # 33032)	33032-034	1
ADJUSTER,CHAIN (Ref # 33040)	33040-1010	1
SLEEVE-SWINGING ARM (Ref # 42036)	33034-016	1
SHOCK ABSBR RR (Ref # 45014)	45014-1142	1
GUARD,CHAIN (Ref # 55020)	55020-1026	1
GUARD,CHAIN,FR (Ref # 55020A)	55020-1063	1
BOLT,8X50 (Ref # 92001)	92001-1399	1
NUT-LOCK,12MM (Ref # 92015)	92019-009	1
NUT SHOCK ABSORBER (Ref # 92015A)	92020-003	1
WASHER-PL-10.5X26X2.3 (Ref # 92022)	92022-044	1
COLLAR,SWING ARM,LONG (Ref # 92027)	33036-007	1
BUSH SHCK ABS PVT SFT (Ref # 92027A)	45016-003	1
BUSHING-SWING ARM (Ref # 9202)	33033-009	1
"O" RING,16MM (Ref # 92055)	92055-001	1
BUSH A-SHCK ABS RUBER (Ref # 92075)	45017-010	1
BUSHING,RUBBER (Ref # 92075A)	92075-1020	1
BOLT-UPSET,6X12 (Ref # 110)	112G0612	1
BOLT HEX HEAD 10X35 (Ref # 113)	113N1035	1
NUT 8MM (Ref # 318)	318B0800	1
WASHER PLAIN 12MM (Ref # 41)	410B1200	1
WASHER SPRING 6MM (Ref # 461)	461F0600	1
WASHER SPRING 10MM (Ref # 461A)	461F1000	1
"O" RING,30MM (Ref # 671)	671B2530	1