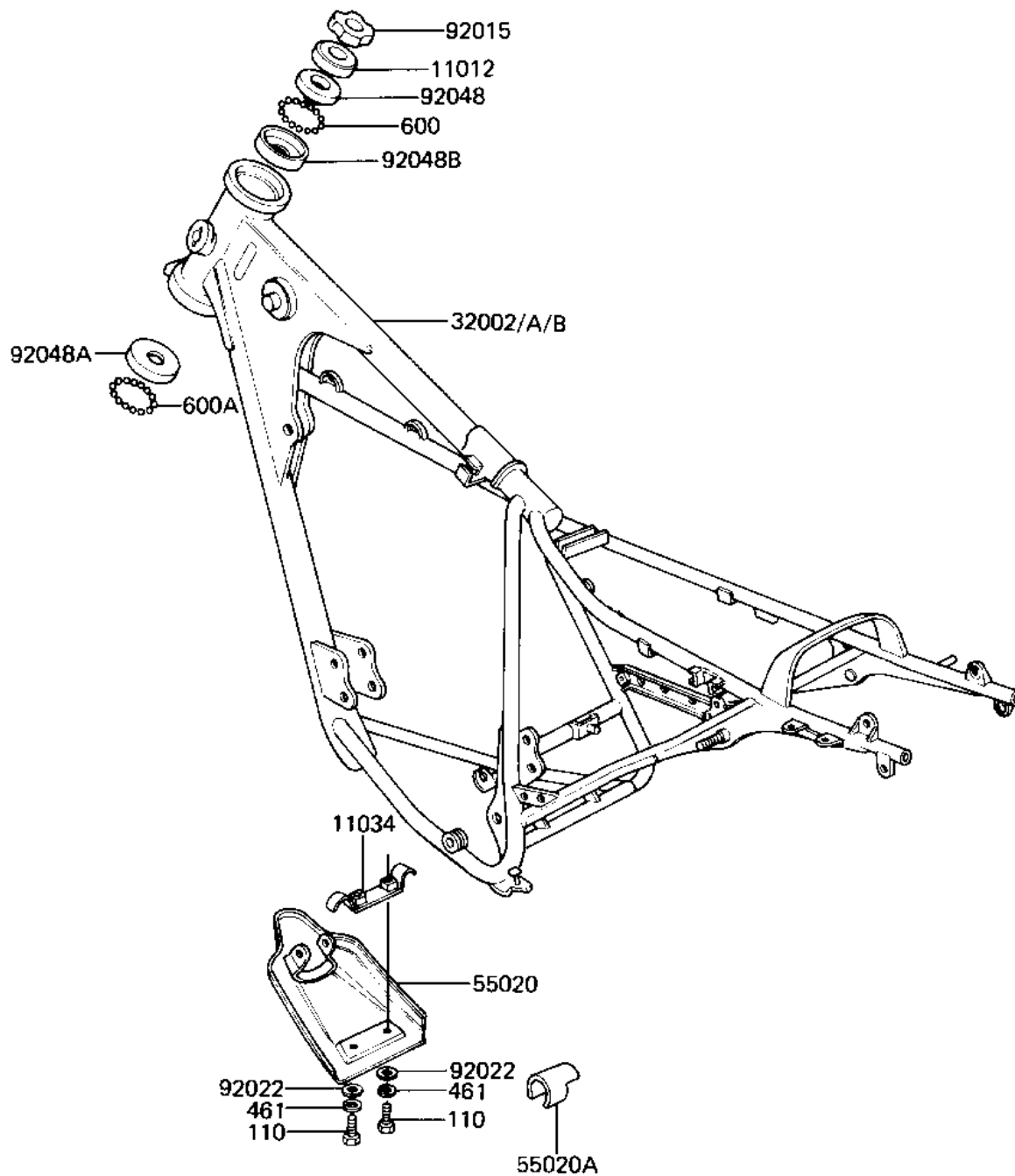


1983 KE125 PARTS DIAGRAM

FRAME ('82-'83 A9/A10)

F2120-0147



1983 KE125 PARTS LIST

FRAME ('82-'83 A9/A10)

ITEM NAME	PART NUMBER	QUANTITY
CAP,STEERING STEM (Ref # 11012)	46098-018	1
BRACKET,ENGINE GUARD (Ref # 11034)	55016-008	1
FRAME-COMP,US (Canada) (Ref # 32002A)	32002-1487	2
GUARD,ENGINE (Ref # 55020)	55011-020	1
GUARD,CHAIN (Ref # 55020A)	55020-1045	1
NUT,STEERING STEM (Ref # 92015)	92090-022	1
WASHER 6.5X20X1.6T (Ref # 92022)	92022-125	1
CONE,STRG STM BRG,UP (Ref # 92048)	92047-014	1
RACE STEERING BEARING (Ref # 92048A)	92048-005	1
RACE,STRG STM BEARING (Ref # 92048B)	92048-009	1
BOLT-UPSET,6X16 (Ref # 110)	112G0616	1
WASHER SPRING 6MM (Ref # 461)	461F0600	1
BALL STEEL 3/16' (Ref # 600)	600A0600	1
BALL STEEL 1/4' (Ref # 600A)	600A0800	1