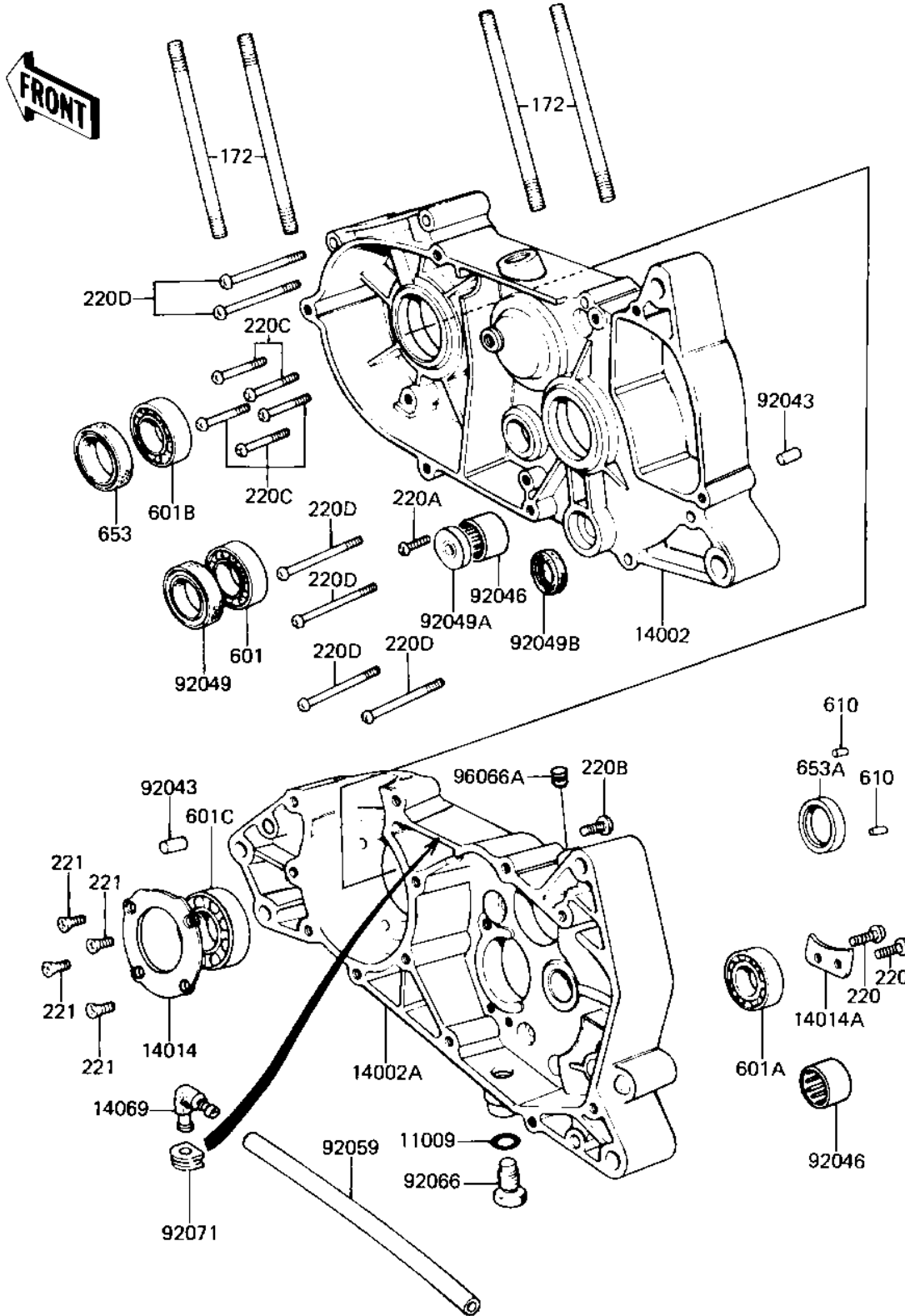


## 1983 KE125 PARTS DIAGRAM

CRANKCASE ('82-'83 A9/A10)

ET410-0007



## 1983 KE125 PARTS LIST

CRANKCASE ('82-'83 A9/A10)

ITEM NAME	PART NUMBER	QUANTITY
GASKET-DRAIN PLUG (Ref # 11009)	92065-073	1
SET-CRANKCASE,F.BLACK (Ref # 14002)	14001-5138	2
PLATE,CRANK BEARING (Ref # 14014)	14014-028	1
PLATE,MISSION BERNG (Ref # 14014A)	14014-029	1
BREATHER ASSY (Ref # 14069)	14069-1001	2
PIN,DOWEL,10X8.2X14 (Ref # 92043)	92043-1037	1
BRG,N,7E-HK1412 (Ref # 92046)	92046-037	1
OIL SEAL SC25376 (Ref # 92049)	92050-013	1
OIL SEAL,PUSH ROD (Ref # 92049A)	92050-058	1
SEAL-OIL (Ref # 92049B)	92049-1271	1
PLUG (Ref # 92066)	92066-1240	1
RUBBER PLUG (Ref # 92066A)	92074-035	1
GROMMET (Ref # 92071)	92071-042	1
STUD,8X70 (Ref # 172)	172G0870	1
SCREW PAN HEAD 6X12 (Ref # 220)	220B0612	1
SCREW PAN HEAD 6X20 (Ref # 220A)	220B0620	1
SCREW PAN HEAD 6X25 (Ref # 220B)	220B0625	1
SCREW PAN HEAD 6X40 (Ref # 220C)	220B0640	1
SCREW PAN HEAD 6X60 (Ref # 220D)	220B0660	1
SCREW CNTSNK HD 6X16 (Ref # 221)	221B0616	1
BEARING BALL #6004 (Ref # 601)	601B6004	1
BEARING BALL #6203 (Ref # 601A)	601B6203	1
BEARING BALL #6204 (Ref # 601B)	601B6204	1
BEARING BALL #6304 (Ref # 601C)	601B6304	1
PIN DOWEL 5X12 (Ref # 610)	610A0512	1
SEAL-OIL (Ref # 653)	92049-1240	1
SEAL-OIL (Ref # 653A)	92049-1250	1