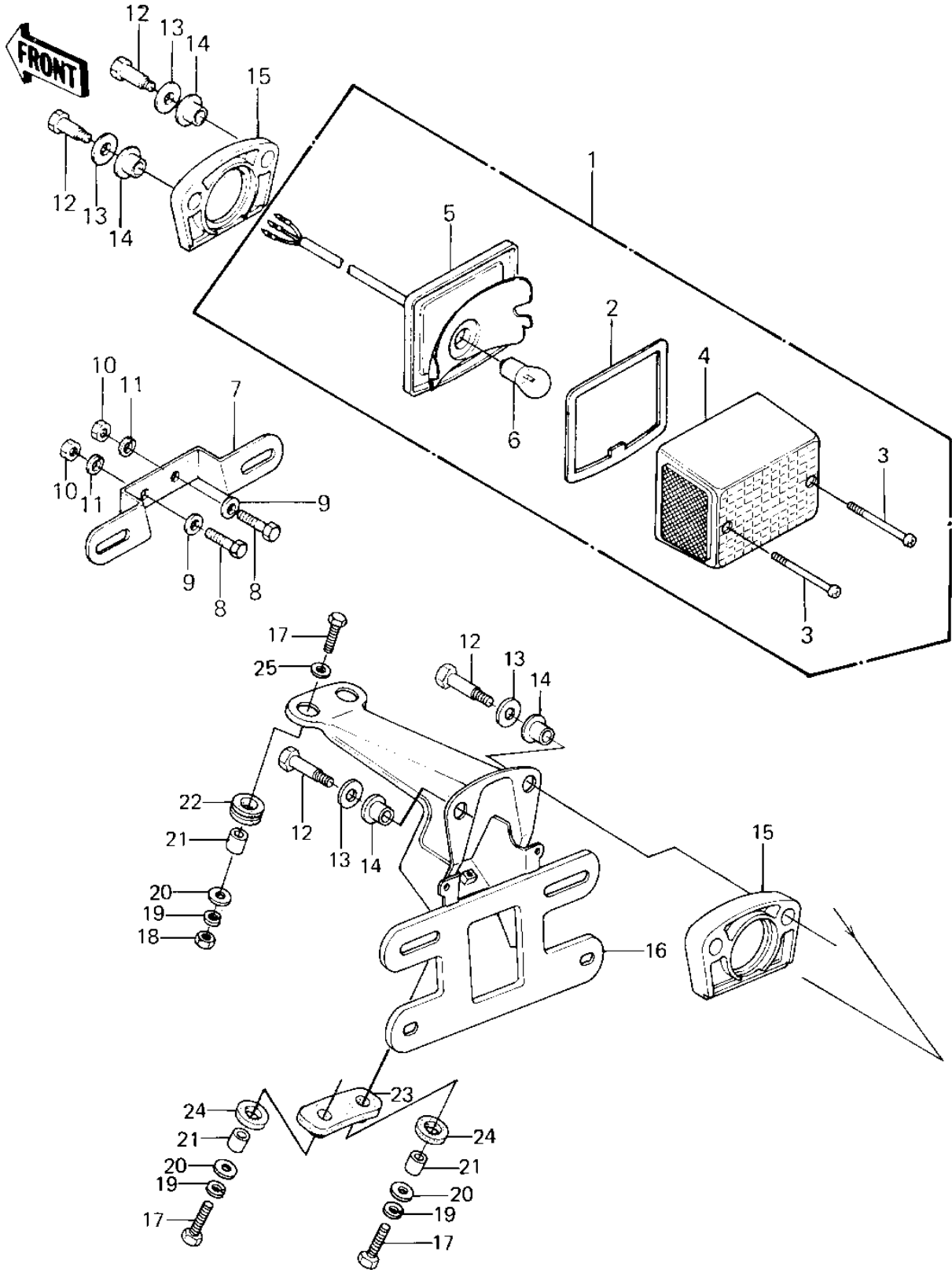


1981 KE125 PARTS DIAGRAM

TAILLIGHT ('80-'81 A7/A8)



1981 KE125 PARTS LIST

TAILLIGHT ('80-'81 A7/A8)

ITEM NAME	PART NUMBER	QUANTITY
LAMP ASSY TAIL (Ref # 1)	23025-1016	1
LAMP-TAIL (Ref # 1)	23025-1032	1
GASKET,TAIL LAMP LENS (Ref # 2)	11009-1078	1
SCREW, PAN HEAD 4X40 (Ref # 3)	220R0440A	1
LENS,TAIL LAMP (Ref # 4)	23026-1003	1
BODY-COMP-TAIL LAMP (Ref # 5)	23027-1021	1
CASE,TAIL LAMP (Ref # 5)	23027-1020	1
BULB,60-32/3CP (Ref # 6)	92069-074	1
BRACKET,LICENSE (Ref # 7)	11034-1626	1
BOLT-UPSET,6X12 (Ref # 8)	112G0612	1
WASHER PLAIN 6MM (Ref # 9)	411B0600	1
NUT 6MM (Ref # 10)	311B0600	1
WASHER SPRING 6MM (Ref # 11)	461F0600	1
BOLT HEX HEAD (Ref # 12)	92001-1118	1
WASHER,8.5X20X1.6 (Ref # 13)	92022-1561	1
DAMPER RUBBER (Ref # 14)	92075-1095	1
DAMPER RUBBER,TL LAMP (Ref # 15)	92075-1094	1
BRACKET-TAIL LAMP (Ref # 16)	23036-1038	1
BOLT-UPSET (Ref # 17)	112G0625	1
NUT 6MM (Ref # 18)	311B0600	1
WASHER SPRING 6MM (Ref # 19)	461F0600	1
WASHER PLAIN 6MM (Ref # 20)	411B0600	1
COLLAR,REAR FENDER (Ref # 21)	92027-162	1
DAMPER RUBBER,RR FENR (Ref # 22)	92075-209	1
DAMPER,RR FENDER (Ref # 23)	92075-1305	1
DAMPER RUBBER,SIGNAL (Ref # 24)	92075-310	1
WASHER 6.5X22X1.6T (Ref # 25)	92022-237	1