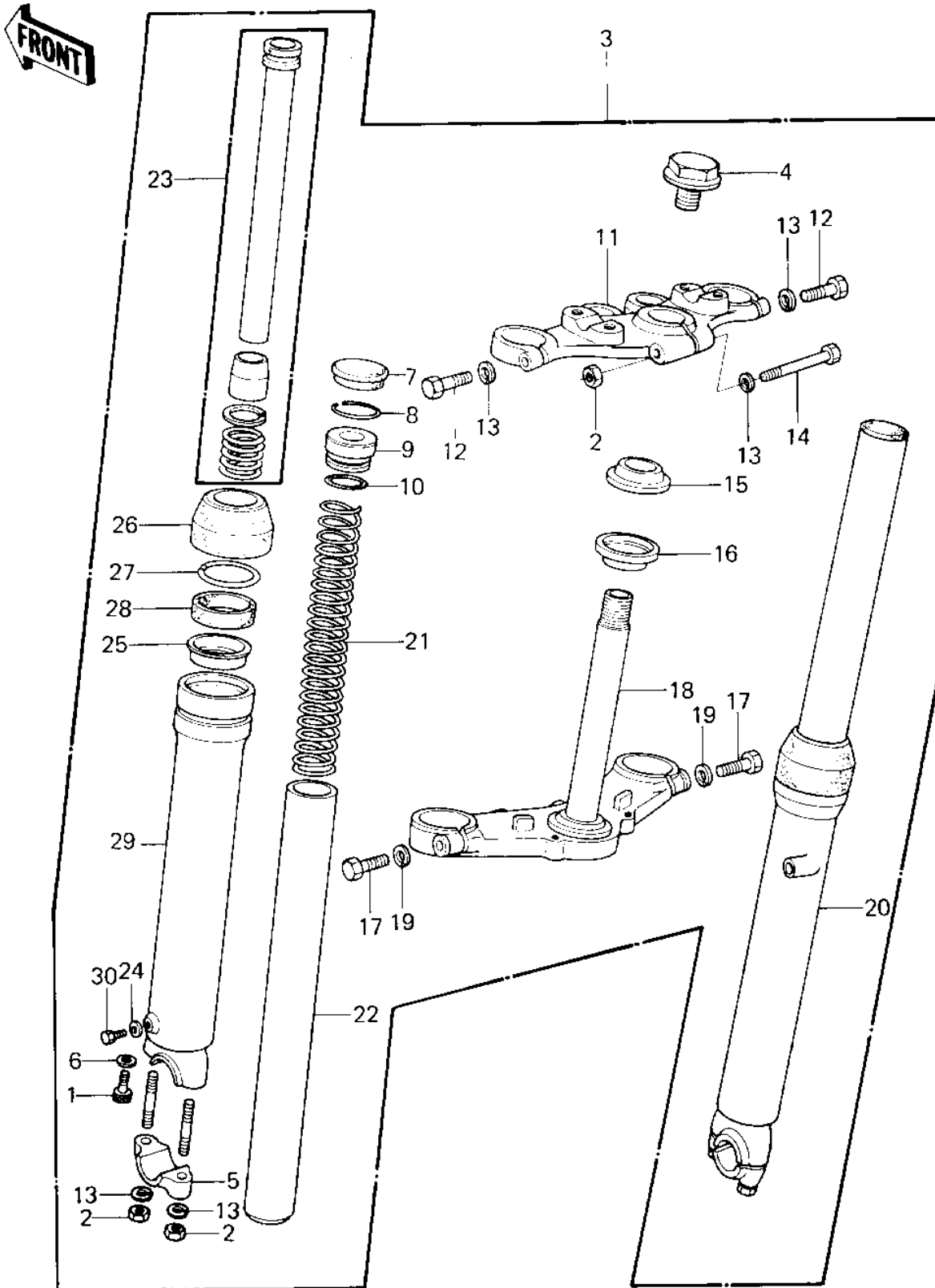


1981 KE125 PARTS DIAGRAM

FRONT FORK ('80-'81 A7/A8)



1981 KE125 PARTS LIST

FRONT FORK ('80-'81 A7/A8)

ITEM NAME	PART NUMBER	QUANTITY
BOLT,FORK CYLINDER (Ref # 1)	44041-078	1
NUT,LOCK,8MM (Ref # 2)	92015-1124	1
FORK-FRONT (Ref # 3)	44001-1230	2
BOLT,STEERING STEM HE (Ref # 4)	92001-1741	1
HOLDER,FRONT AXLE (Ref # 5)	44063-009	1
GASKET,FORK CYL BOLT (Ref # 6)	44045-051	1
CAP,RUBBER,FORK TOP (Ref # 7)	11012-1119	1
CIRCLIP (Ref # 8)	44044-023	1
GUIDE,SPRING (Ref # 9)	44029-022	1
"O" RING (Ref # 10)	44046-025	1
HEAD,STEERING STEM (Ref # 11)	44039-1030	1
BOLT,HEX HEAD,8X40 (Ref # 12)	92001-1063	1
WASHER SPRING 8MM (Ref # 13)	461F0800	1
BOLT,HEX HEAD,8X55 (Ref # 14)	92001-1064	1
CONE STERNG BERG LOW (Ref # 15)	92047-010	1
SEAL,STEERING STEM (Ref # 16)	44010-027	1
BOLT,HEX HEAD 10X35 (Ref # 17)	92001-1252	1
STEM,STEERING (Ref # 18)	44037-1042	1
WASHER SPRING 10MM (Ref # 19)	461F1000	1
TUBE,RH,FORK OUTER (Ref # 20)	44006-1045	1
SPRING,FORK (Ref # 21)	44026-1049	1
TUBE,FRONT INNER (Ref # 22)	44013-1033	1
CYLINDER-FORK (Ref # 23)	44022-1037	1
GASKET,DRAIN PLUG (Ref # 24)	44045-047	1
SPACER,OUTER TUBE (Ref # 25)	92026-1073	1
DUST SHIELD,FORK (Ref # 26)	44010-026	1
CIRCLIP,45MM (Ref # 27)	44044-020	1
OIL SEAL,FORK (Ref # 28)	44009-018	1
TUBE,LH,FORK OUTER (Ref # 29)	44005-1045	1

1981 KE125 PARTS LIST

FRONT FORK ('80-'81 A7/A8)

ITEM NAME	PART NUMBER	QUANTITY
BOLT HEX HEAD 6X8 (Ref # 30)	110B0608	1