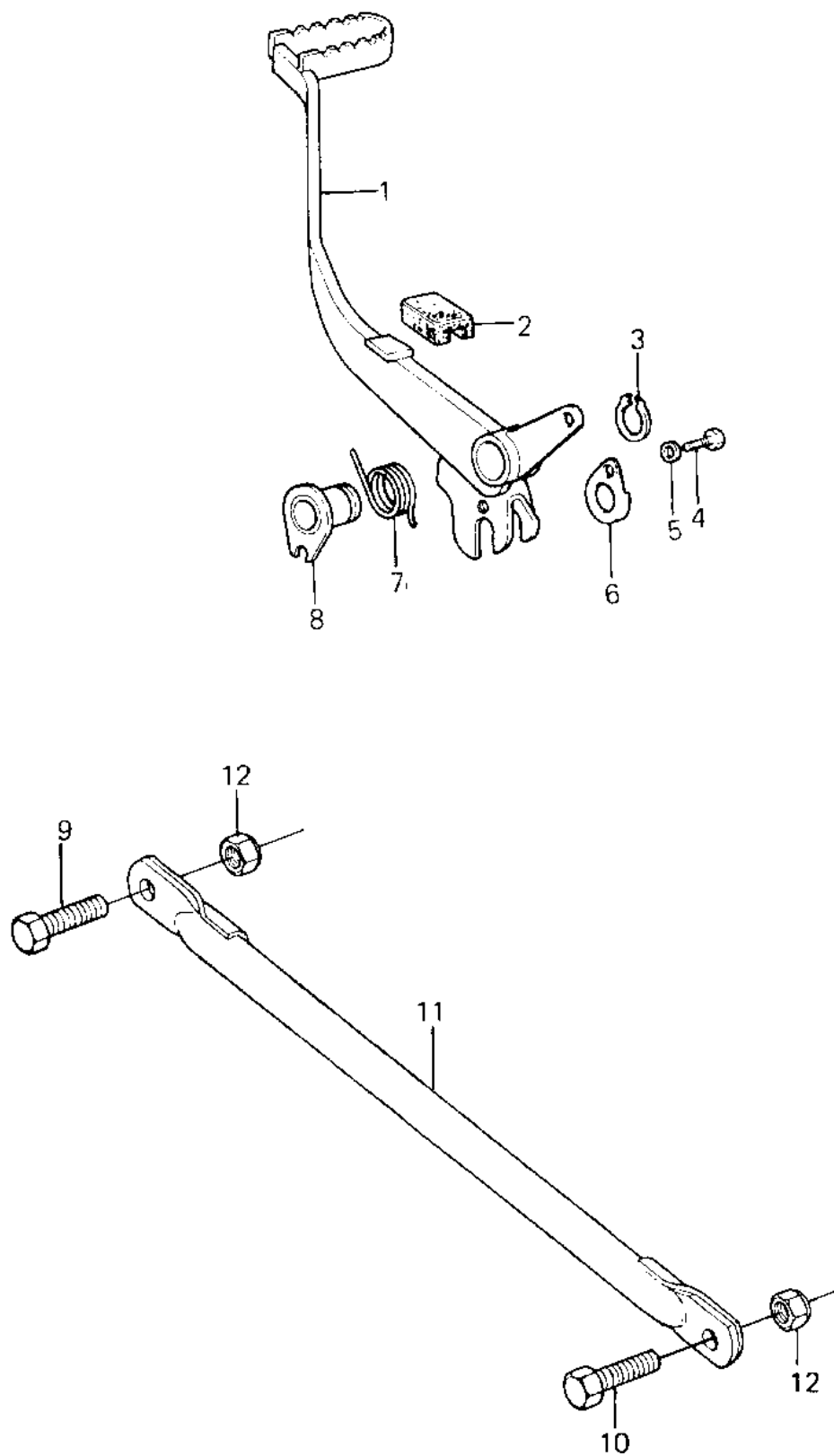


## 1980 KE125 PARTS DIAGRAM

BRAKE PEDAL/TORQUE LINK ('80-'81 A7/A8)



## 1980 KE125 PARTS LIST

BRAKE PEDAL/TORQUE LINK ('80-'81 A7/A8)

ITEM NAME	PART NUMBER	QUANTITY
PEDAL,BRAKE (Ref # 1)	43001-058	1
DAMPER RUBBER,BK PDL (Ref # 2)	92075-220	1
CIRCLIP,22MM (Ref # 3)	480J2200	1
SCREW PAN HEAD 5X8 (Ref # 4)	220B0508	1
WASHER SPRING 5MM (Ref # 5)	461F0500	1
PLATE (Ref # 6)	43081-002	1
SPRING BRAKE PEDAL (Ref # 7)	43005-032	1
COLLAR,BRAKE PEDAL (Ref # 8)	92027-210	1
BOLT,HEX HEAD,10X22 (Ref # 9)	113G1022	1
BOLT,10X28 (Ref # 10)	113G1028	1
TORQUE LINK,REAR BRAK (Ref # 11)	43007-048	1
NUT,10MM (Ref # 12)	92019-016	1