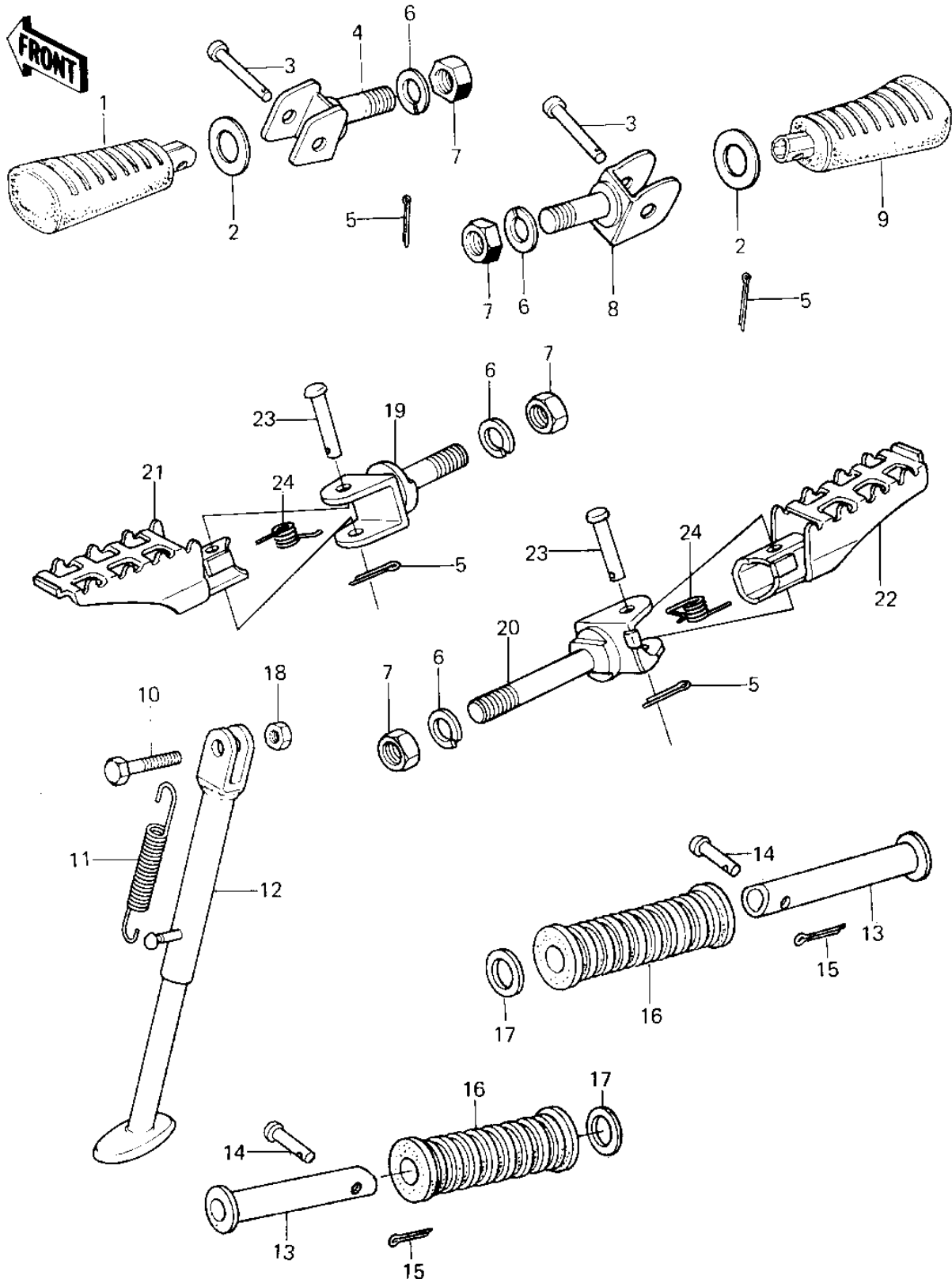


## 1981 KE125 PARTS DIAGRAM

FOOTRESTS/STAND ('80-'81 A7/A8)



## 1981 KE125 PARTS LIST

FOOTRESTS/STAND ('80-'81 A7/A8)

ITEM NAME	PART NUMBER	QUANTITY
STEP-ASSY,FR,LH (Ref # 1)	34027-1114	1
WASHER,PLAIN (Ref # 2)	92022-250	1
PIN-FOOTREST BAR FIT (Ref # 3)	92043-080	2
BRACKET,FOTRST BAR,LH (Ref # 4)	34003-051	1
PIN,COTTER,2.5X15 (Ref # 5)	550D2515	1
WASHER SPRING 14MM (Ref # 6)	461F1400	1
NUT,14MM (Ref # 7)	314B1400	1
BRACKET,FOTRST BAR,RH (Ref # 8)	34003-052	1
STEP-ASSY,FR,RH (Ref # 9)	34027-1115	1
BOLT,HEX HEAD 10X35 (Ref # 10)	92001-1252	1
SPRING,SIDE STAND (Ref # 11)	34025-008	1
STAND-SIDE (Ref # 12)	34024-1043	1
BAR-RR FOOTREST (OPT) (Ref # 13)	34028-009	1
PIN (Ref # 14)	92043-1464	1
PIN COTTER 2.0X15 (Ref # 15)	550D2015	1
RUBBER,REAR FOOTREST (Ref # 16)	92076-024	1
WASHER-PLAIN (OPT) (Ref # 17)	92022-199	1
NUT,10MM (Ref # 18)	314B1000	1
HOLDER-STEP,FR,LH (Ref # 19)	34003-1112	1
HOLDER-STEP,RH (Ref # 20)	34003-1111	1
STEP,L.H FR FOOTREST (Ref # 21)	34028-1013	1
STEP,R.H FR FOOTREST (Ref # 22)	34028-1014	1
SPRING,FR FOOTREST (Ref # 24)	92081-1133	1