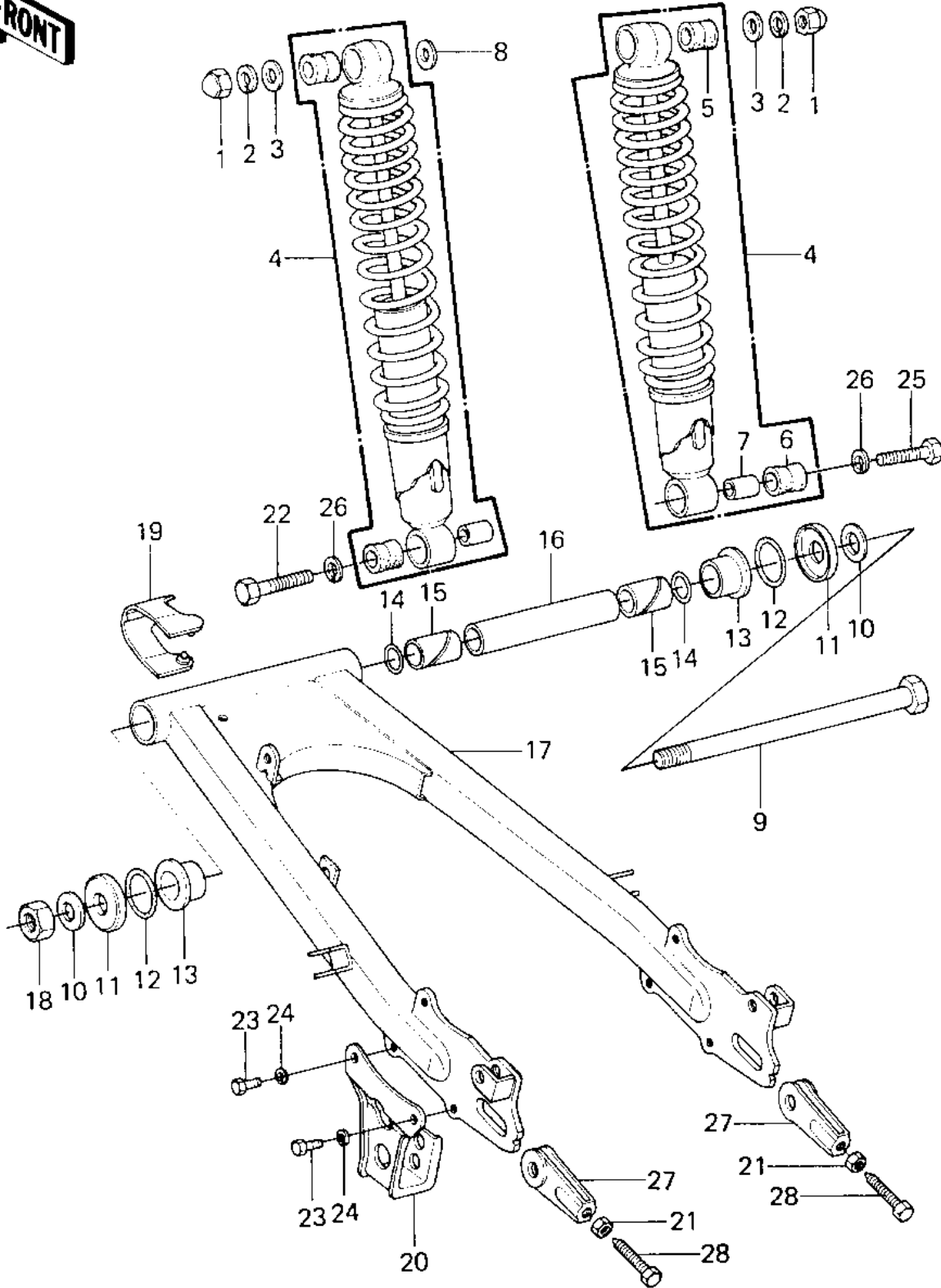


1981 KE125 PARTS DIAGRAM

SWING ARM/SHOCK ABSORBERS ('80-'81 A7/A8)



1981 KE125 PARTS LIST

SWING ARM/SHOCK ABSORBERS ('80-'81 A7/A8)

| ITEM NAME | PART NUMBER | QUANTITY |
|----------------------------------|-------------|----------|
| NUT SHOCK ABSORBER (Ref # 1) | 92020-003 | 1 |
| WASHER SPRING 10MM (Ref # 2) | 461F1000 | 2 |
| WASHER-PL-10.5X26X2.3 (Ref # 3) | 92022-044 | 1 |
| SHOCK ABSBR RR (Ref # 4) | 45014-1092 | 2 |
| BUSH A-SHCK ABS RUBER (Ref # 5) | 45017-010 | 1 |
| BUSHING,RUBBER (Ref # 6) | 92075-1020 | 1 |
| BUSH SHCK ABS PVT SFT (Ref # 7) | 45016-003 | 1 |
| WASHER PLAIN 12MM (Ref # 8) | 410B1200 | 2 |
| SHAFT-SWING ARM PIVOT (Ref # 9) | 33032-034 | 1 |
| CAP-SWINGING ARM (Ref # 11) | 33035-005 | 1 |
| "O" RING,30MM (Ref # 12) | 671B2530 | 1 |
| BUSHING-SWING ARM (Ref # 13) | 33033-009 | 1 |
| "O" RING,16MM (Ref # 14) | 92055-001 | 1 |
| SLEEVE-SWINGING ARM (Ref # 15) | 33034-016 | 1 |
| COLLAR,SWING ARM,LONG (Ref # 16) | 33036-007 | 1 |
| SWING ARM (Ref # 17) | 33001-1060 | 1 |
| NUT-LOCK,12MM (Ref # 18) | 92019-009 | 1 |
| GUARD,CHAIN,FR (Ref # 19) | 55020-1063 | 1 |
| GUARD,CHAIN (Ref # 20) | 55020-1026 | 1 |
| NUT 8MM (Ref # 21) | 312B0800 | 1 |
| BOLT HEX HEAD 10X35 (Ref # 22) | 113N1035 | 2 |
| BOLT-UPSET,6X12 (Ref # 23) | 112G0612 | 1 |
| WASHER SPRING 6MM (Ref # 24) | 461F0600 | 1 |
| ADJUSTER,CHAIN (Ref # 27) | 33040-1001 | 1 |
| BOLT,8X50 (Ref # 28) | 92001-1399 | 1 |