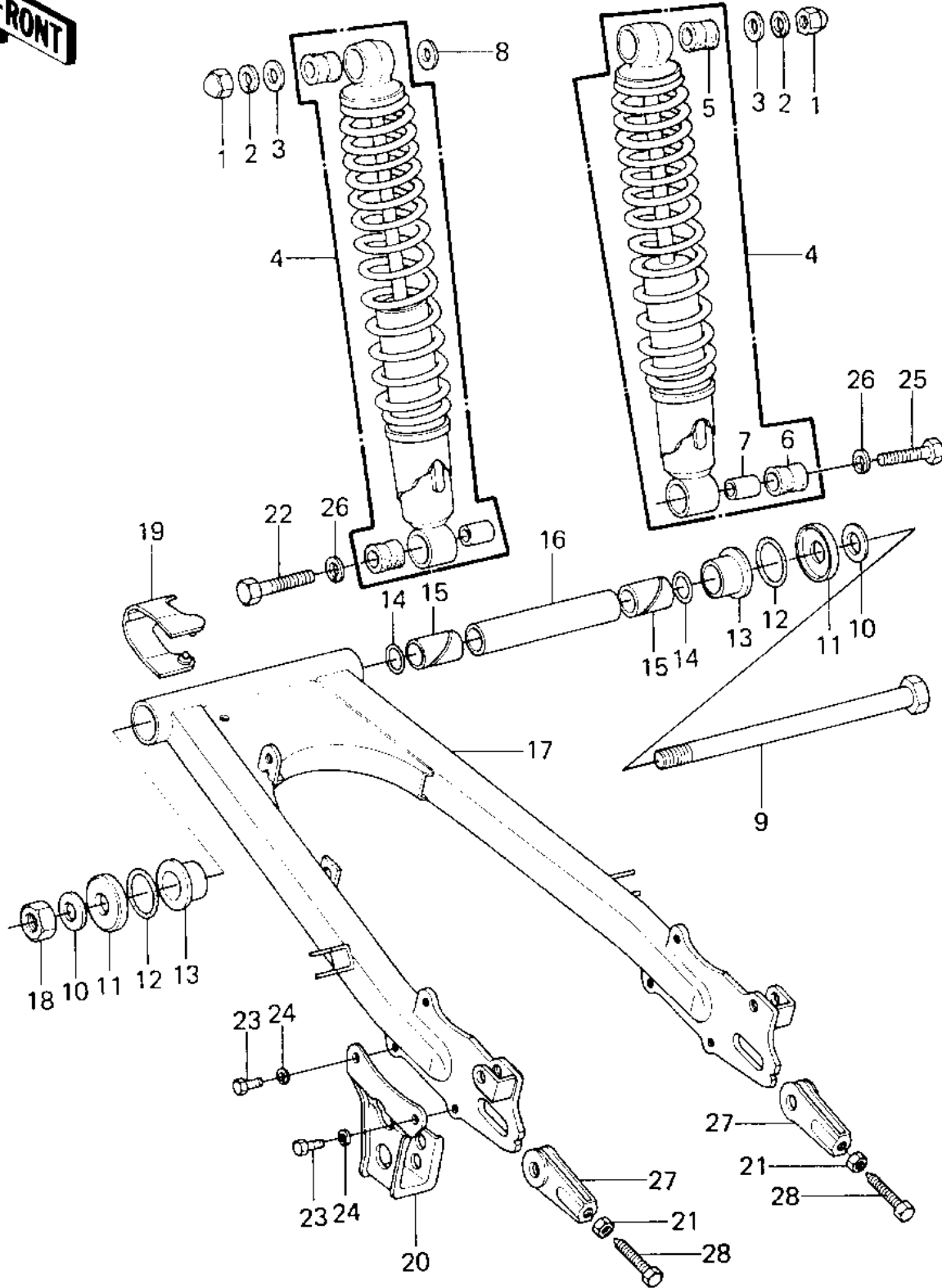


1980 KE125 PARTS DIAGRAM

SWING ARM/SHOCK ABSORBERS ('80-'81 A7/A8)



1980 KE125 PARTS LIST

SWING ARM/SHOCK ABSORBERS ('80-'81 A7/A8)

ITEM NAME	PART NUMBER	QUANTITY
NUT SHOCK ABSORBER (Ref # 1)	92020-003	1
WASHER SPRING 10MM (Ref # 2)	461F1000	2
WASHER-PL-10.5X26X2.3 (Ref # 3)	92022-044	1
SHOCK ABSBR RR (Ref # 4)	45014-1092	2
BUSH A-SHCK ABS RUBER (Ref # 5)	45017-010	1
BUSHING,RUBBER (Ref # 6)	92075-1020	1
BUSH SHCK ABS PVT SFT (Ref # 7)	45016-003	1
WASHER PLAIN 12MM (Ref # 8)	410B1200	2
SHAFT-SWING ARM PIVOT (Ref # 9)	33032-034	1
CAP-SWINGING ARM (Ref # 11)	33035-005	1
"O" RING,30MM (Ref # 12)	671B2530	1
BUSHING-SWING ARM (Ref # 13)	33033-009	1
"O" RING,16MM (Ref # 14)	92055-001	1
SLEEVE-SWINGING ARM (Ref # 15)	33034-016	1
COLLAR,SWING ARM,LONG (Ref # 16)	33036-007	1
SWING ARM (Ref # 17)	33001-1060	1
NUT-LOCK,12MM (Ref # 18)	92019-009	1
GUARD,CHAIN,FR (Ref # 19)	55020-1063	1
GUARD,CHAIN (Ref # 20)	55020-1026	1
NUT 8MM (Ref # 21)	312B0800	1
BOLT HEX HEAD 10X35 (Ref # 22)	113N1035	2
BOLT-UPSET,6X12 (Ref # 23)	112G0612	1
WASHER SPRING 6MM (Ref # 24)	461F0600	1
ADJUSTER,CHAIN (Ref # 27)	33040-1001	1
BOLT,8X50 (Ref # 28)	92001-1399	1